

# TRINITY GLASS INTERNATIONAL

33615 1st Way S, Federal Way, WA 98003

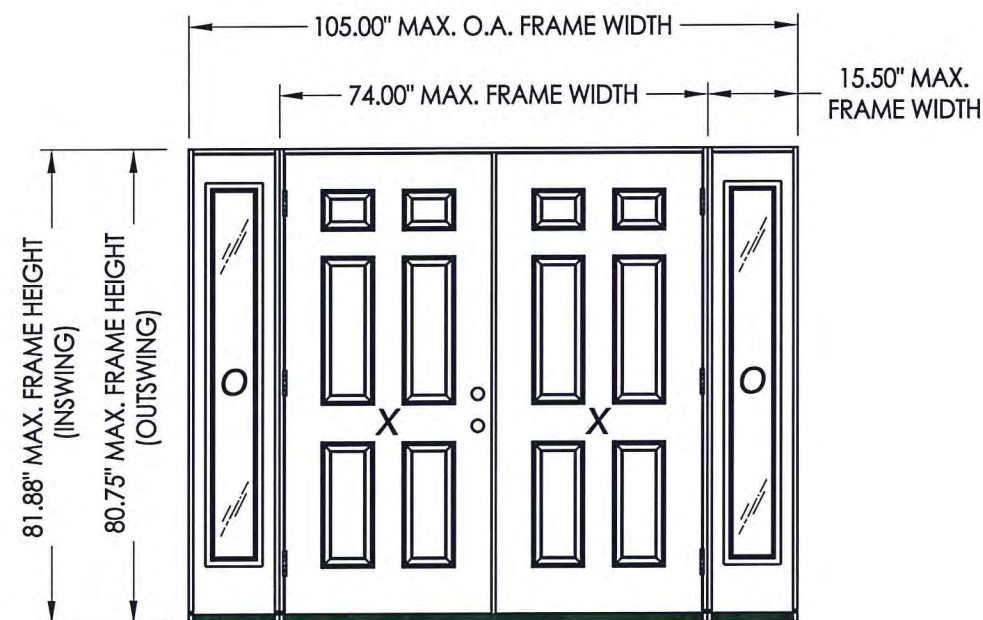
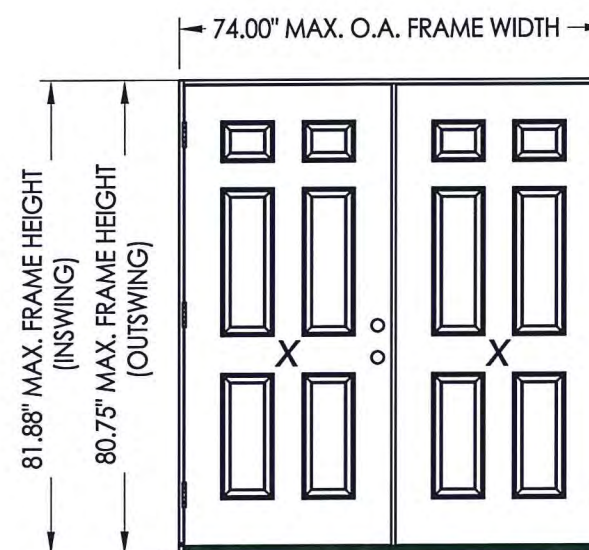
## OPAQUE FIBERGLASS DOOR with or without SIDELITES IN SWING / OUT SWING "NON-IMPACT"

### GENERAL NOTES

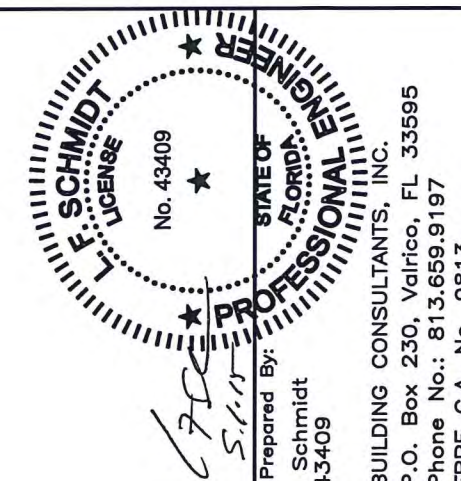
1. This product has been evaluated and is in compliance with the 5th Edition (2014) Florida Building Code (FBC) structural requirements including the "High Velocity Hurricane Zone" (HVHZ).
2. Product anchors shall be as listed and spaced as shown on details. Anchor embedment to base material shall be beyond wall dressing or stucco.
3. When used in the "HVHZ" this product is required to be protected with an impact resistant covering that complies with Section 1626 of the FBC.
4. When used in areas outside of the "HVHZ" requiring wind borne debris protection this product is required to be protected with an impact resistant covering that complies with Section 1609.1.2 of the FBC.
5. For 2x stud framing construction, anchoring of these units shall be the same as that shown for 2x buck masonry construction.
6. Site conditions that deviate from the details of this drawing require further engineering analysis by a licensed engineer or registered architect.
7. Outswing configuration using threshold item #25 meet water infiltration requirements for "HVHZ".
8. Inswing configurations and outswing configuration using threshold item #27 do not meet the water infiltration requirements for the "HVHZ" and shall be installed only in non-habitable areas or at habitable locations protected by an overhang or canopy such that the angle between the edge of canopy or overhang to sill is less than 45 degrees.

### TABLE OF CONTENTS

SHEET#	DESCRIPTION
1	Typical elevations, design pressures & general notes
2	Door panel details
3	Sidelite panel details & glazing details
4	Sidelite panel details & glazing details
5	Elevations
6	Horizontal cross sections
7	Vertical cross sections
8	Vertical cross sections
9	Buck anchoring
10	Frame anchoring
11	Astragal details
12	Components
13	Bill of materials



CONFIGURATION	MAX. FRAME DIMENSION	DESIGN PRESSURE (PSF) ALUMINUM ASTRAGAL		DESIGN PRESSURE (PSF) PVC ASTRAGAL	
		POSITIVE	NEGATIVE	POSITIVE	NEGATIVE
XX	74.0" x 81.88"	+ 55.0	- 55.0	+ 47.0	- 47.0
OXXO	105.0" x 81.88"	+ 55.0	- 55.0	+ 47.0	- 47.0



Documents Prepared By:  
Lyndon F. Schmidt  
P.E. No. 43409

STATE OF FLORIDA  
PROFESSIONAL ENGINEER  
BUILDING CONSULTANTS, INC.  
P.O. Box 230, Valrico, FL 33595  
Phone No.: 813.659.9197  
FBPE C.A. No. 9813

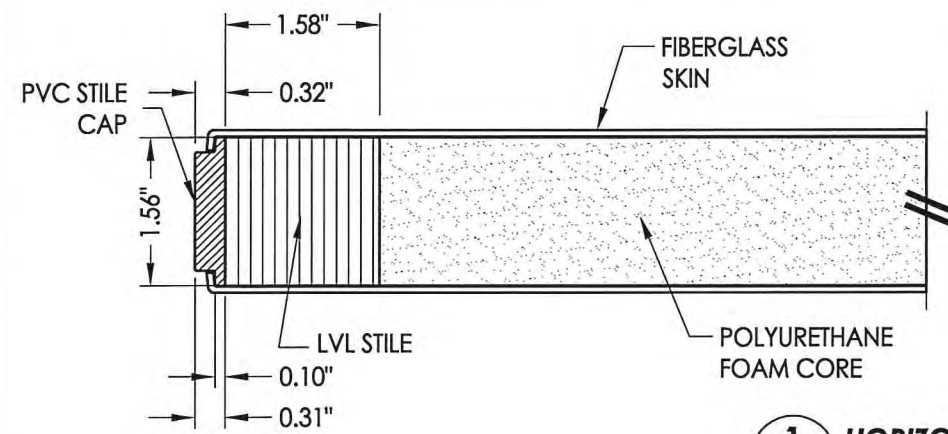
PRODUCT: TRINITY GLASS INT'L

PART OR ASSEMBLY:  
TYPICAL ELEVATION, DESIGN PRESSURES & GENERAL NOTES

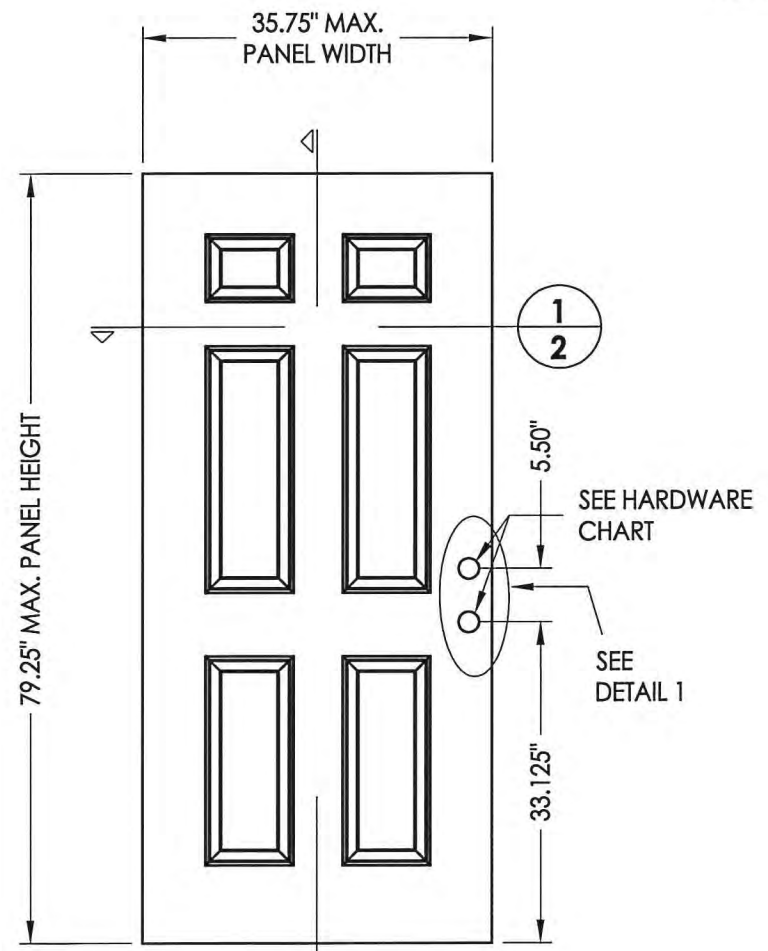
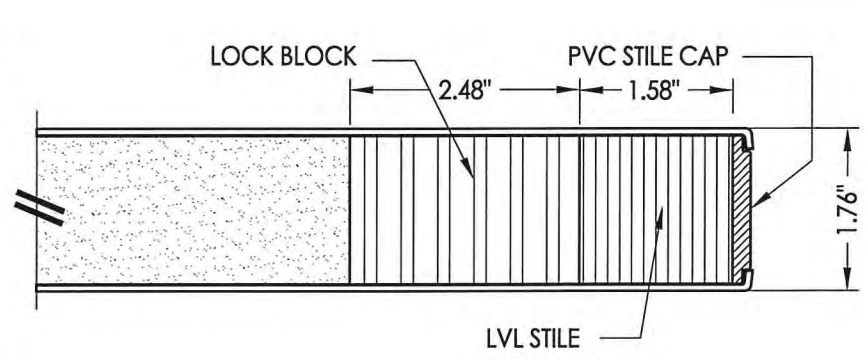
NO.	DATE	REVISIONS
1	03/02/15	UPDATE TO 5TH ED. (2014) FBC

DATE: 02/27/12  
SCALE: N.T.S.  
DWG. BY: JK  
CHK. BY: LFS  
DRAWING NO.: FL-15255.12  
SHEET 1 of 13

R:\Clients\Trinity PERMANENT\Florida Product Approvals\FL-15255\C - Drawings\FL-15255\FL-15255.9-12.dwg, 2.12

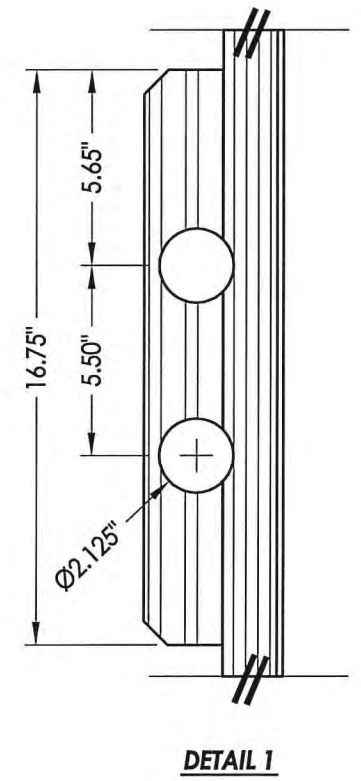


**1**  
**2** HORIZONTAL CROSS SECTION



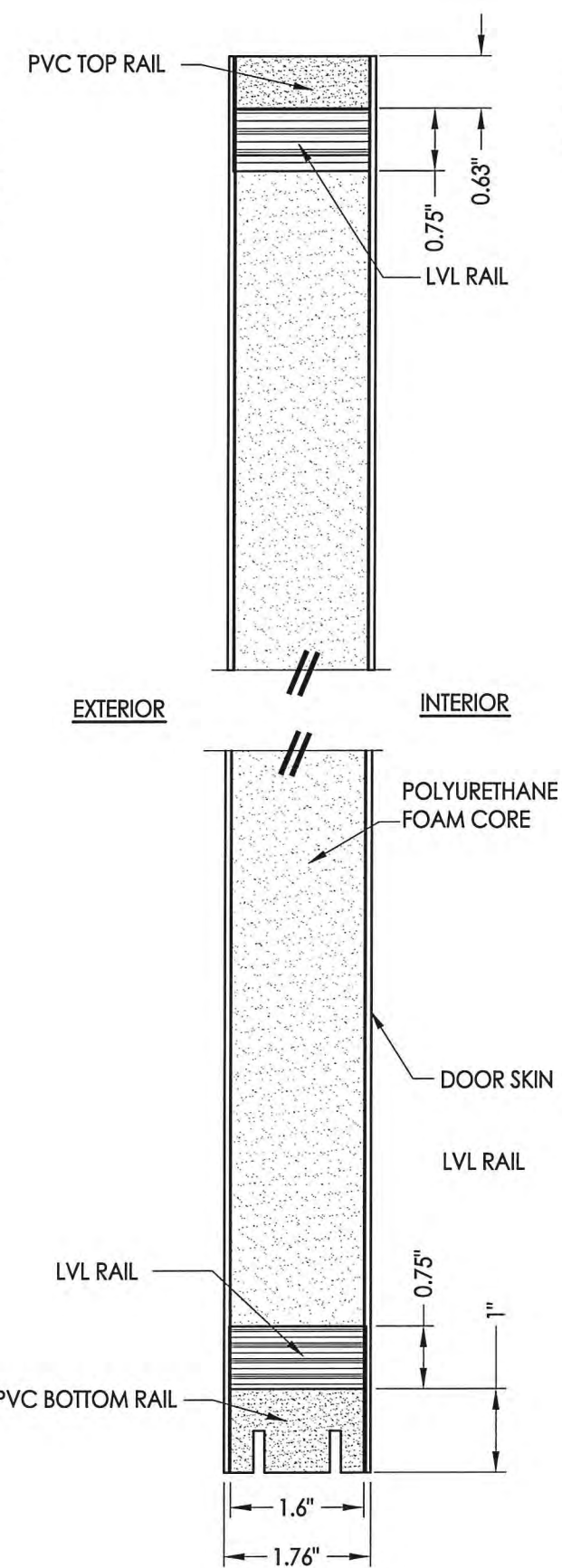
**40** OPAQUE DOOR

DOOR SKIN: 0.079" MIN. THK. FIBERGLASS  
CORE MATERIAL: POLYURETHANE FOAM

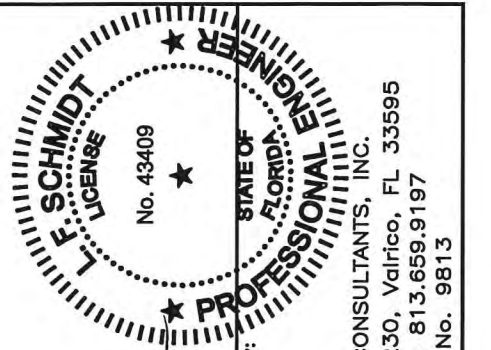


DETAIL 1

HARDWARE CHART	
MANUFACTURER	MODEL
KWIKSET	KNOB: SIGNATURE SERIES DEADBOLT: SIGNATURE SERIES (980)

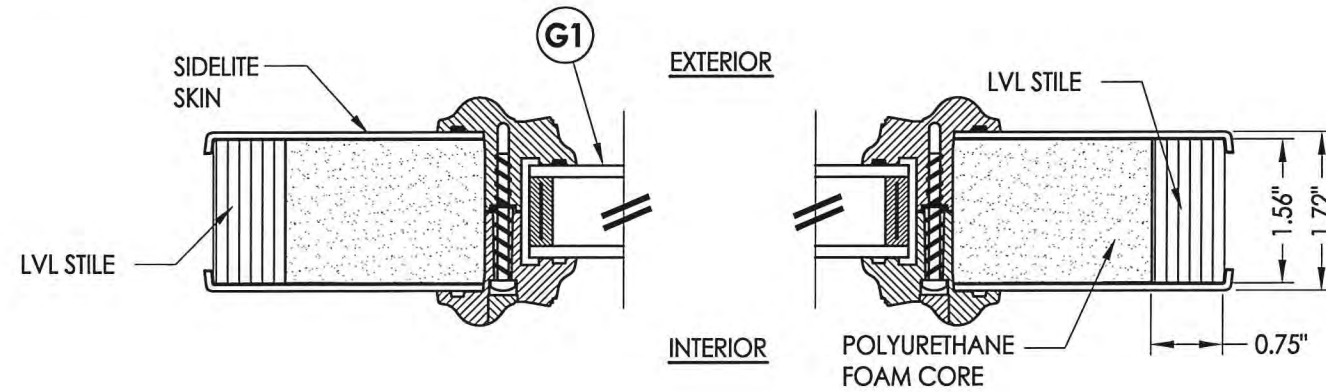


**2**  
**2** VERTICAL CROSS SECTION

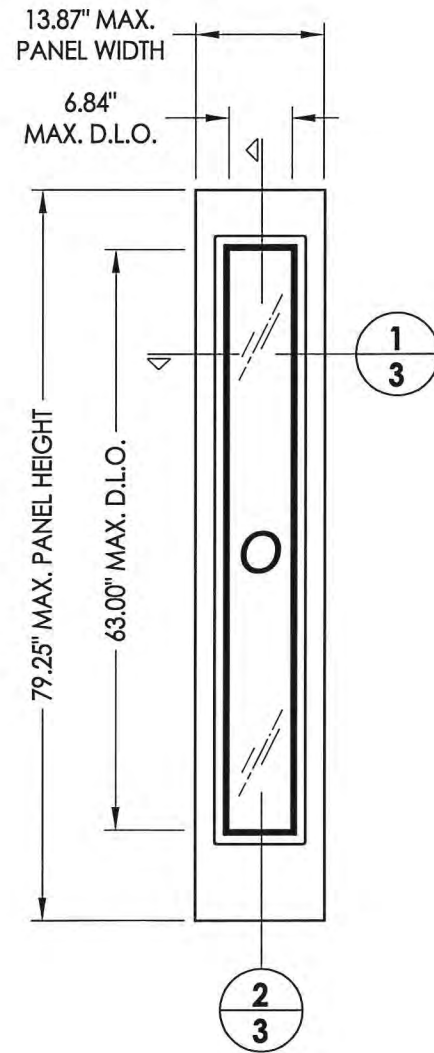


Documents Prepared By:  
Lyndon F. Schmidt  
P.E. No. 43409  
5.1.15  
R.W. BUILDING CONSULTANTS, INC.  
P.O. Box 230, Valrico, FL 33595  
Phone No.: 813.659.9197  
FBPE C.A. No. 9813

PRODUCT:	TRINITY GLASS INT'L	
PART OR ASSEMBLY:	DOOR PANEL DETAILS	
NO.	DATE	BY
1	03/02/15	JK
UPDATE TO 5TH ED. (2014) FBC		
REVISIONS		
DATE:	02/27/12	
SCALE:	N.T.S.	
DWG. BY:	JK	
CHK. BY:	LFS	
DRAWING NO.:	FL-15255.12	
SHEET	2 OF 13	

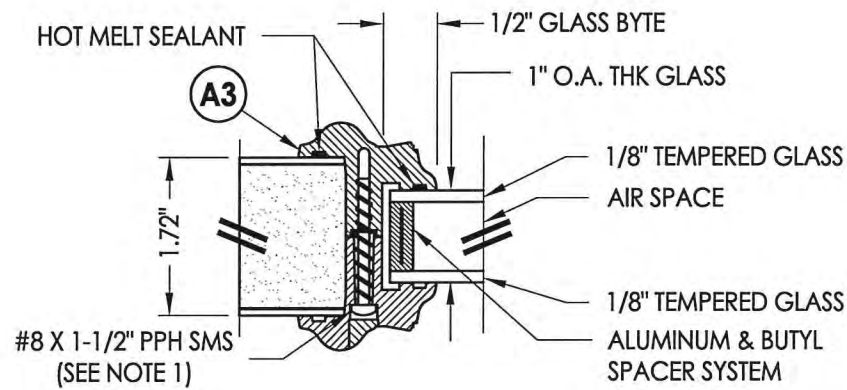


**1**  
**3** **HORIZONTAL CROSS SECTION**

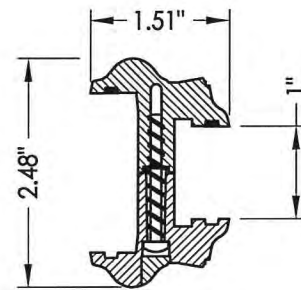


**41** **FIBERGLASS SIDELITE**  
"Non-Impact" Life Frame

DOOR SKIN: 0.079" MIN. THK. FIBERGLASS  
CORE MATERIAL: POLYURETHANE FOAM

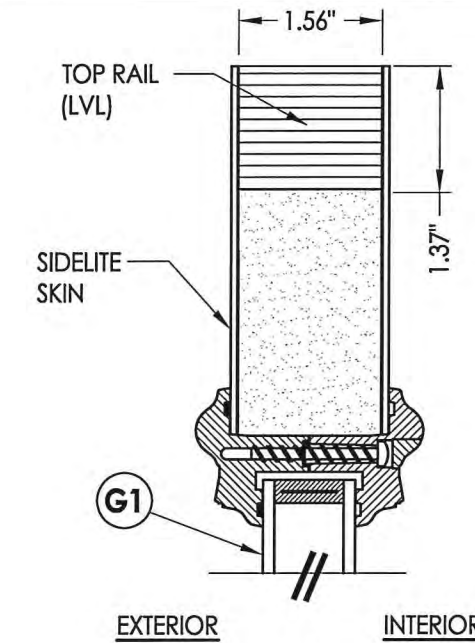


**G2** **GLAZING DETAIL**  
Lip Lite Frame

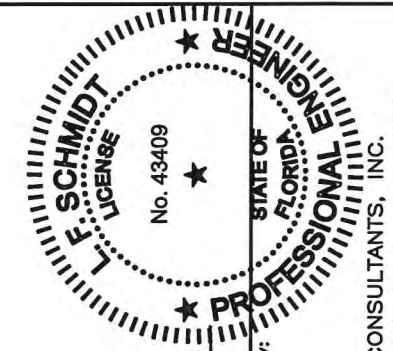
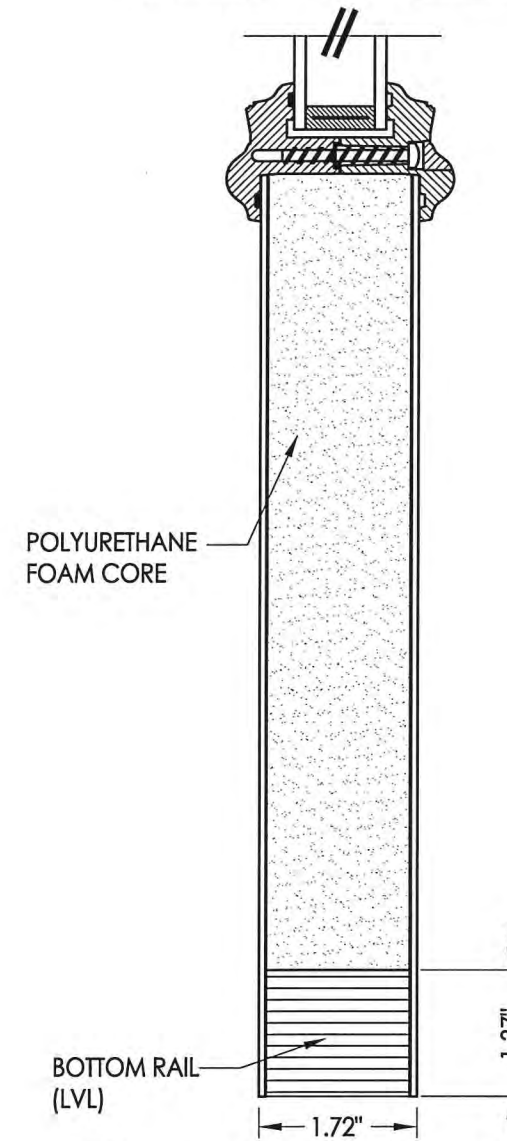


**A3** **LIP LITE FRAME**  
ABS or PC/ASA

NOTE:  
1. Spacing for lite frame screw is as follows:  
Top and Bottom: 2" from each corner (2 total)  
Sides: 2" from each corner and equally spaced thereafter (8 total)



**2**  
**3** **VERTICAL CROSS SECTION**



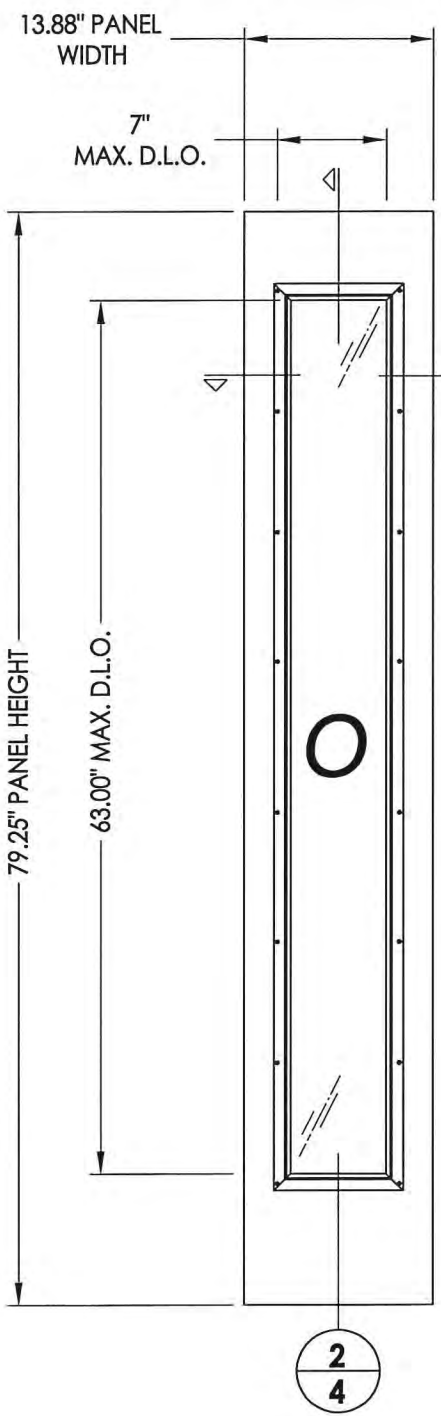
Documents Prepared By:  
Lyndon F. Schmidt  
P.E. No. 43409  
**RW** BUILDING CONSULTANTS, INC.  
P.O. Box 230, Valrico, FL 33595  
Phone No.: 813.659.9197  
FBPE C.A. No. 9813

PRODUCT: TRINITY GLASS INT'L  
PART OR ASSEMBLY: SIDELITE PANEL DETAILS & GLAZING DETAILS

NO.	DATE	REVISIONS	BY
1	03/02/15	UPDATE TO 5TH ED. (2014) FBC	JK

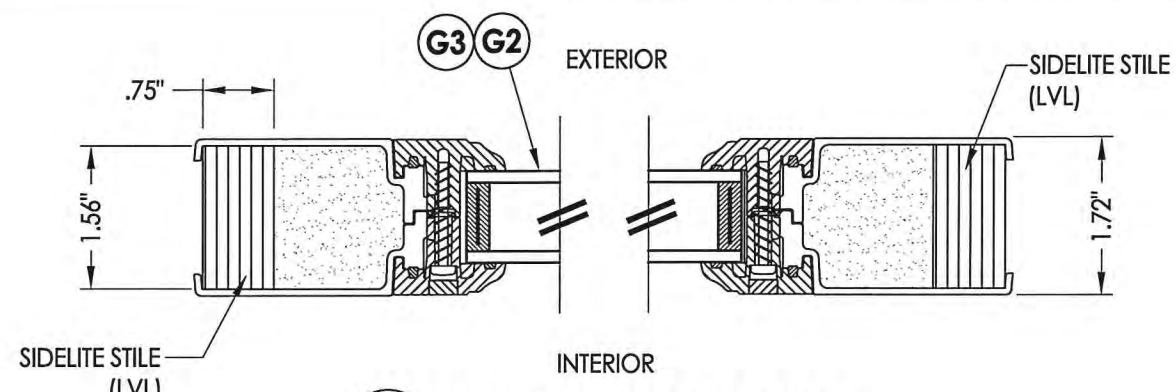
DATE: 02/27/12  
SCALE: N.T.S.  
DWG. BY: JK  
CHK. BY: LFS  
DRAWING NO.: FL-15255.12  
SHEET 3 OF 13

R:\Clients\Trinity PERMANENT\Florida Product Approvals\FL-15255\C - Drawings\FL-15255\FL-15255-9-12.dwg, 4.12

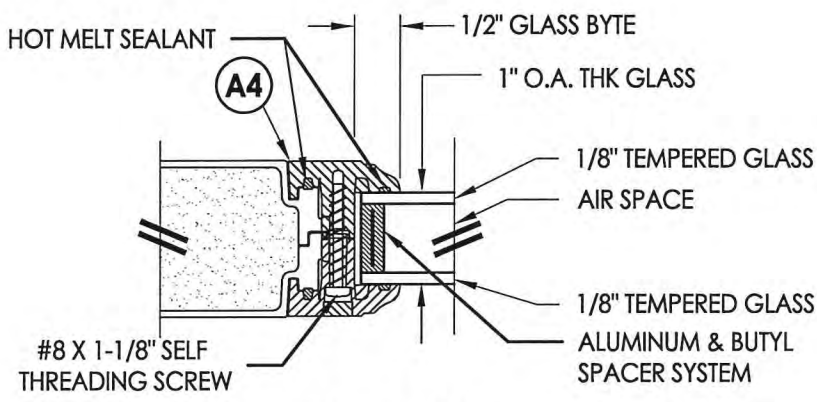


**42 FIBERGLASS SIDELITE**  
"Non-Impact" Flush Lite Frame

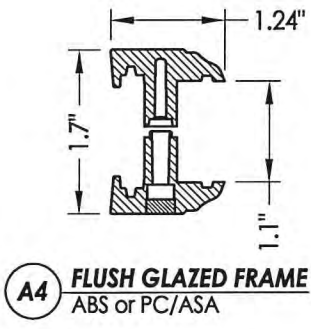
DOOR SKIN: 0.079" MIN. THK. FIBERGLASS  
CORE MATERIAL: POLYURETHANE FOAM



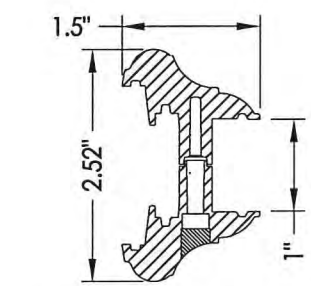
**1 HORIZONTAL CROSS SECTION**



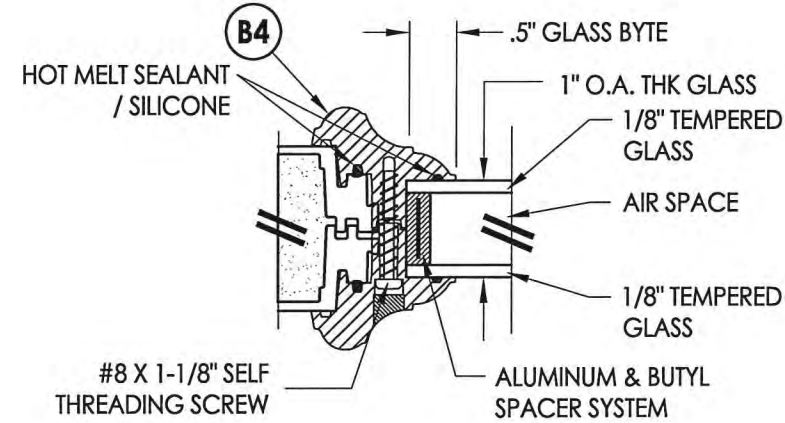
**G1 GLAZING DETAIL**  
Flush Lite Frame



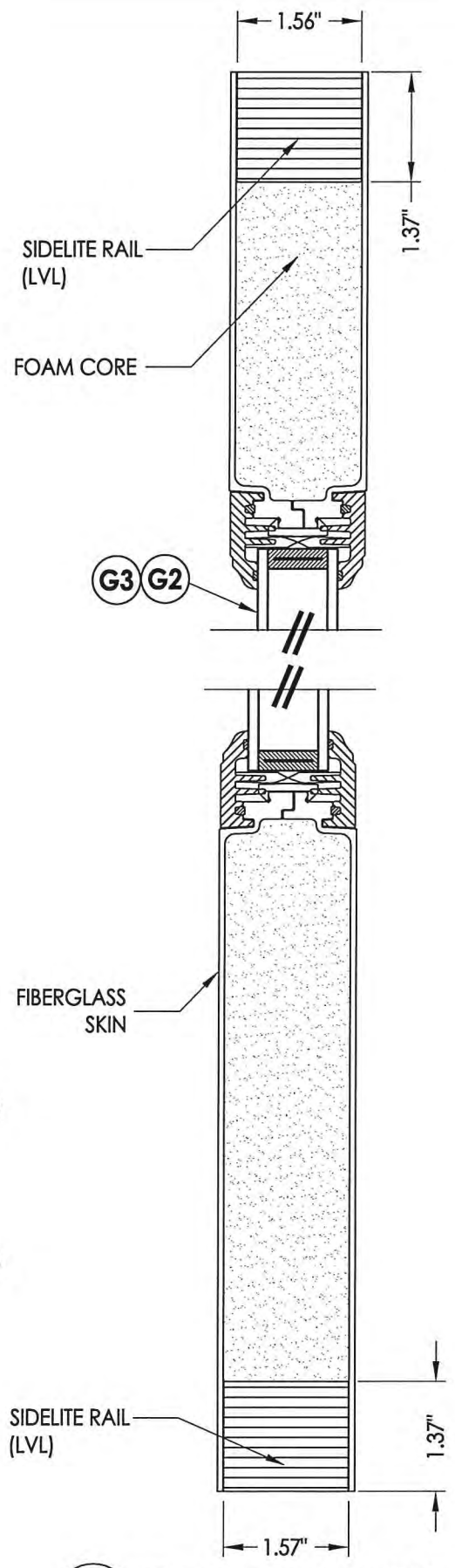
**A4 FLUSH GLAZED FRAME**  
ABS or PC/ASA



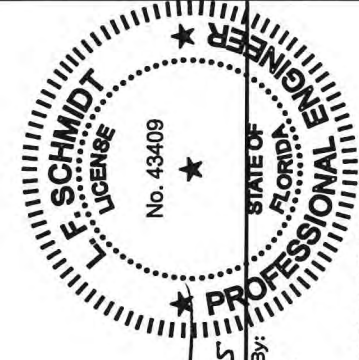
**B4 MAHOGANY LITE FRAME**  
ABS or PC/ASA



**G3 GLAZING DETAIL**  
Flush Lite Frame



**2 VERTICAL CROSS SECTION**

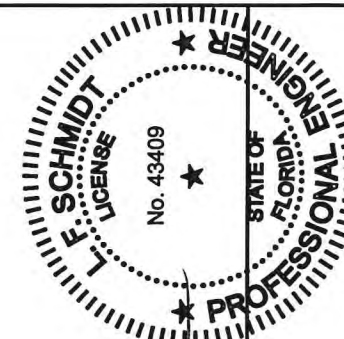
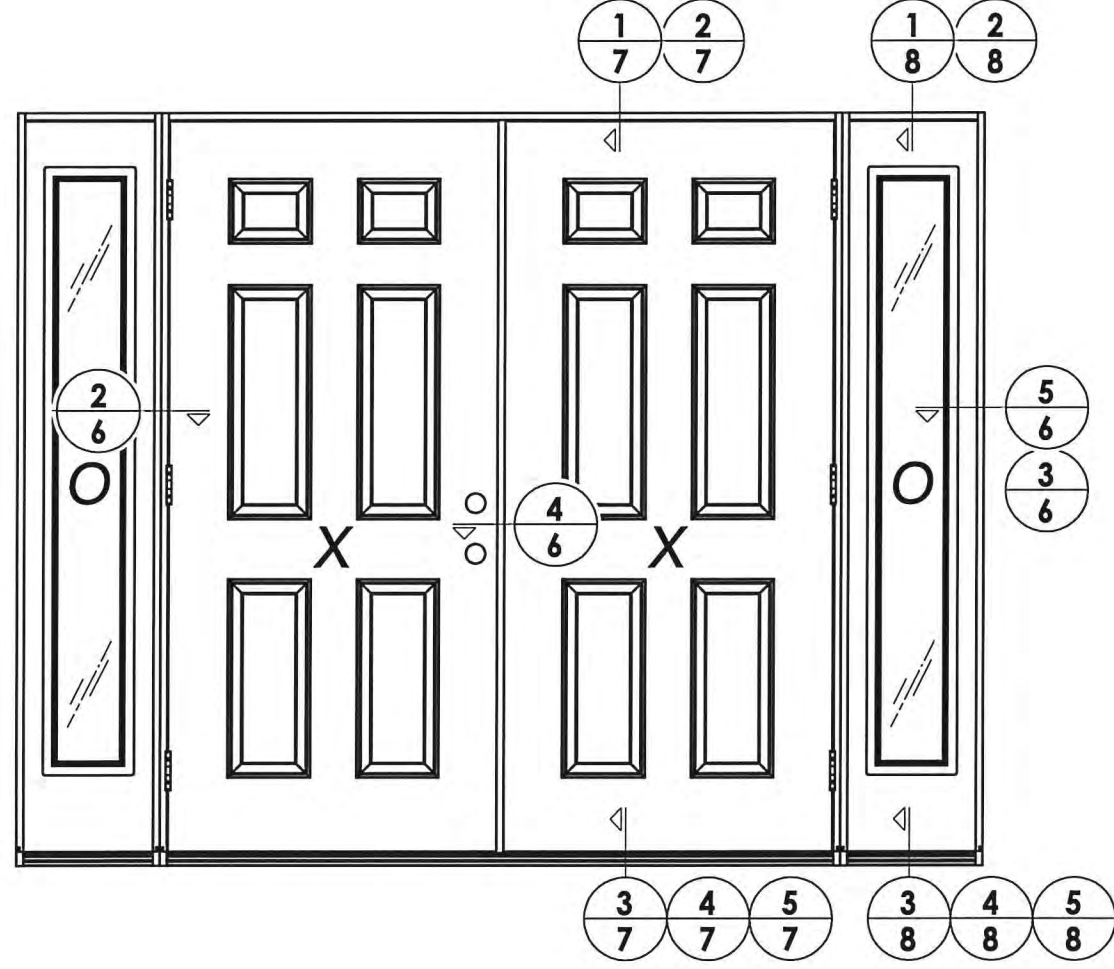
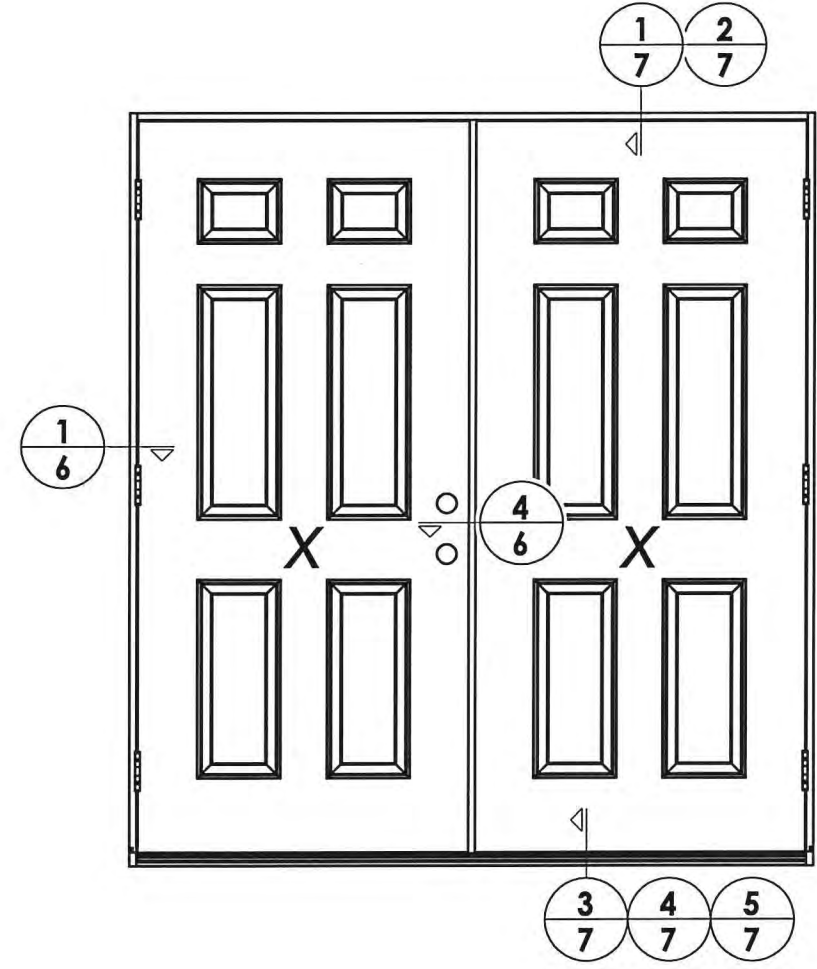


Documents Prepared By:  
Lyndon F. Schmidt  
P.E. No. 43409

**RW** BUILDING CONSULTANTS, INC.  
P.O. Box 230, Valrico, FL 33595  
Phone No.: 813.659.9197  
FBPE C.A. No. 9813

PRODUCT:	TRINITY GLASS INT'L
PART OR ASSEMBLY:	SIDELITE PANEL DETAILS & GLAZING DETAILS
DATE:	02/27/12
SCALE:	N.T.S.
DWG. BY:	JK
CHK. BY:	LFS
DRAWING NO.:	FL-15255.12
SHEET	4 OF 13

© 2012 R.W. BUILDING CONSULTANTS INC.



*LFS*  
5.1.15

Documents Prepared By:  
Lyndon F. Schmidt  
P.E. No. 43409

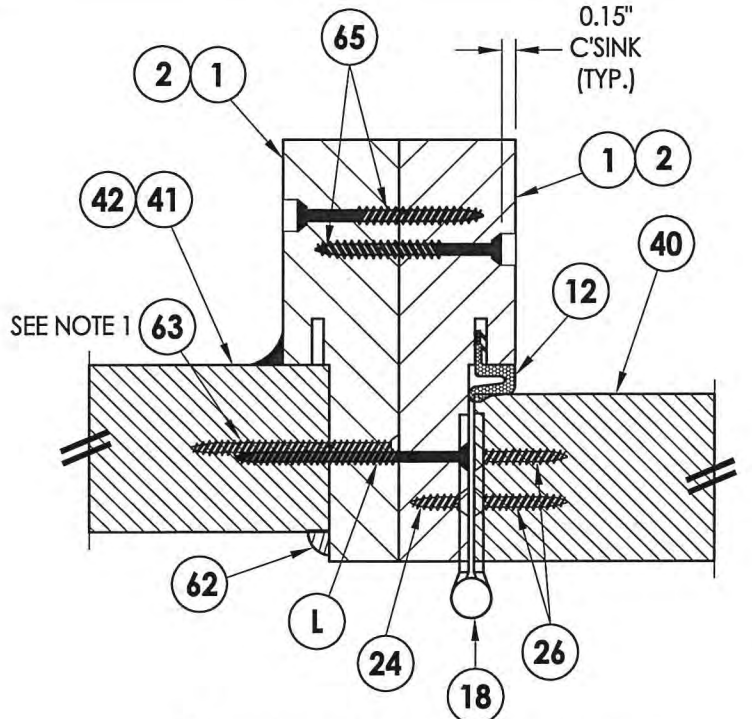
*RW* BUILDING CONSULTANTS, INC.  
P.O. Box 230, Valrico, FL 33595  
Phone No.: 813.659.9197  
FBPE C.A. No. 9813

PRODUCT: TRINITY GLASS INT'L  
PART OR ASSEMBLY: ELEVATIONS

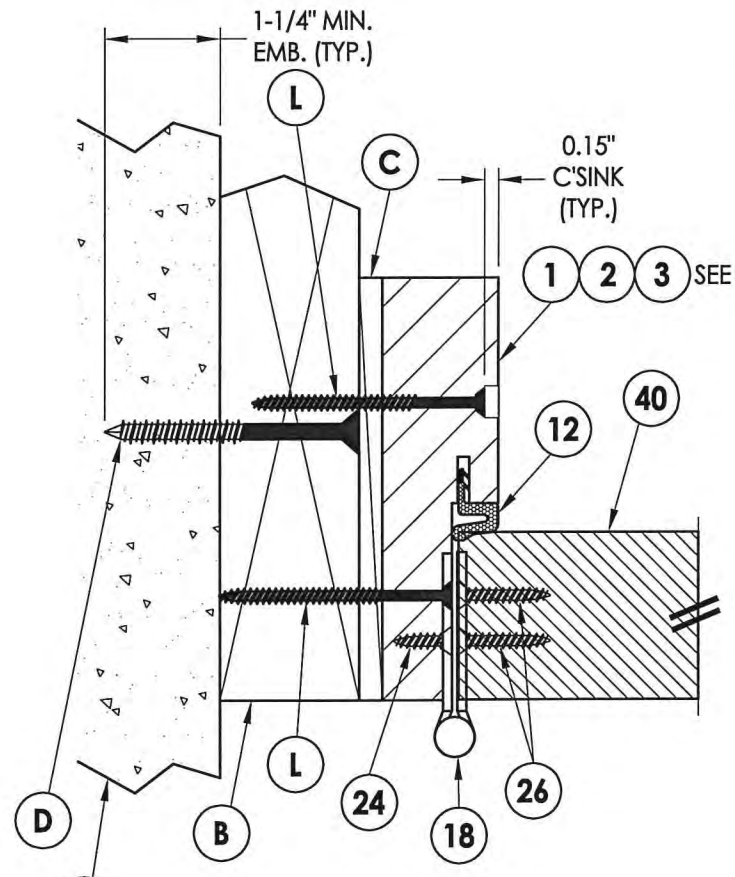
NO.	DATE	BY
1	03/02/15	JK
		FBC

DATE: 02/27/12  
SCALE: N.T.S.  
DWG. BY: JK  
CHK. BY: LFS  
DRAWING NO.: FL-15255.12  
SHEET 5 OF 13

R:\Clients\Trinity PERMANENT\Florida Product Approvals\FL-15255\C - Drawings\FL-15255\FL-15255-9-12.dwg, 6.12



**2**  
**6** **HORIZONTAL CROSS SECTION**  
Outswing shown - Inswing also approved  
Shown w/ wood jambs



**1**  
**6** **HORIZONTAL CROSS SECTION**  
Outswing shown - Inswing also approved

INTERIOR

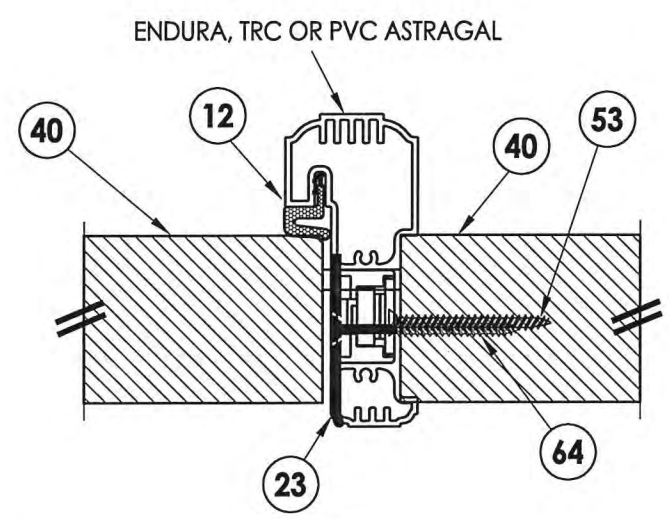
EXTERIOR

NOTE:

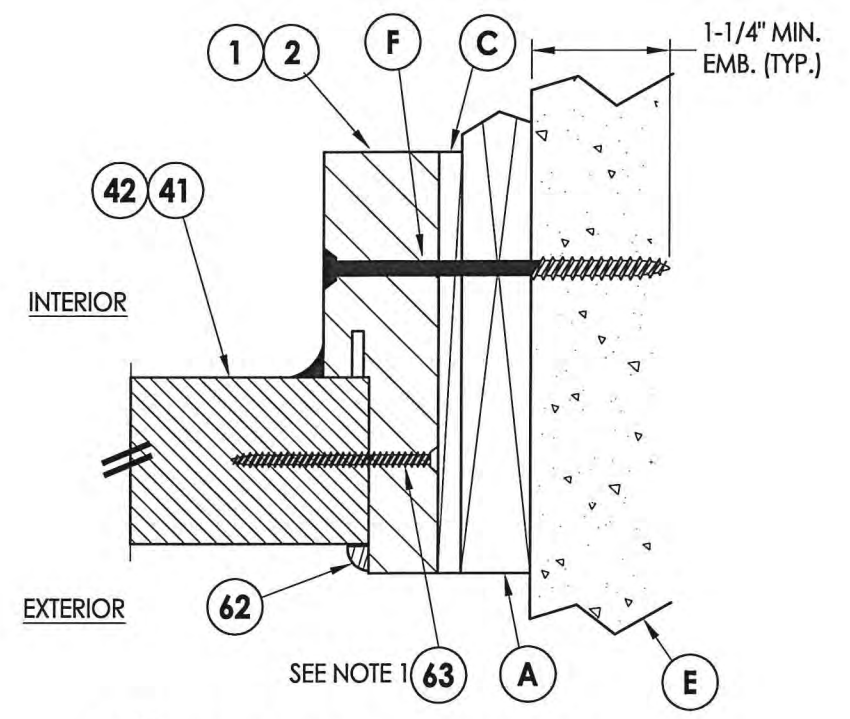
- Item #63 located 6" from each end and 3 more equally spaced (5 total).
- PVC frame may be use with double door without sidelites only.

INTERIOR

EXTERIOR



**4**  
**6** **HORIZONTAL CROSS SECTION**  
Outswing shown - Inswing also approved



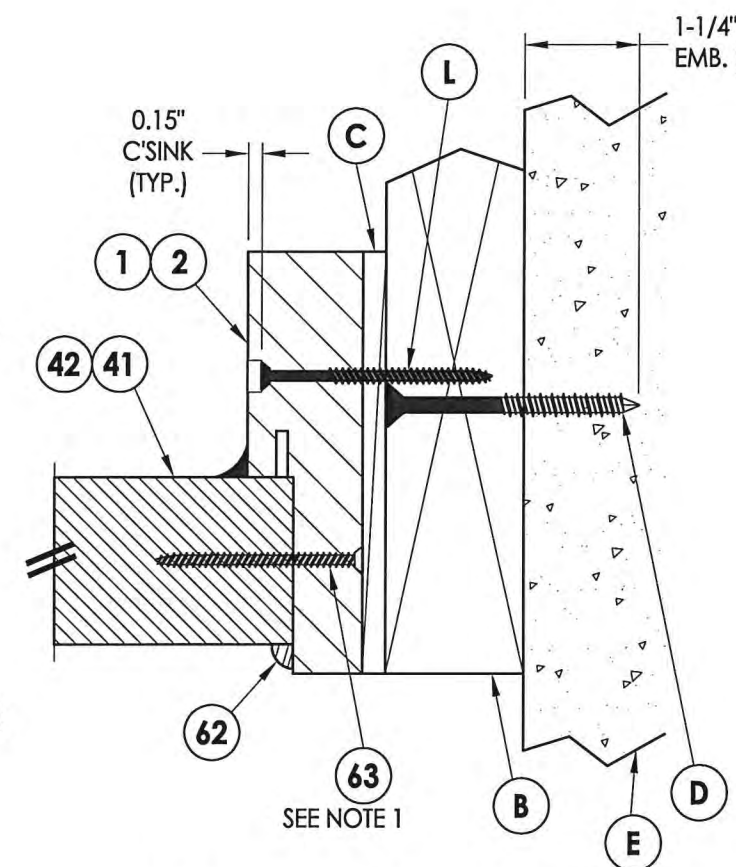
**3**  
**6** **HORIZONTAL CROSS SECTION**  
Shown w/1X sub-buck

INTERIOR

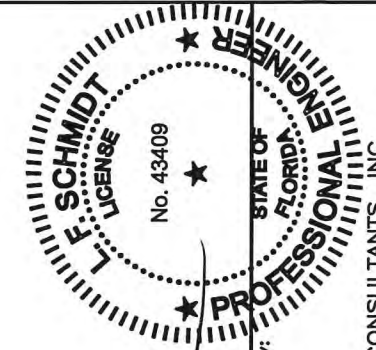
EXTERIOR

INTERIOR

EXTERIOR



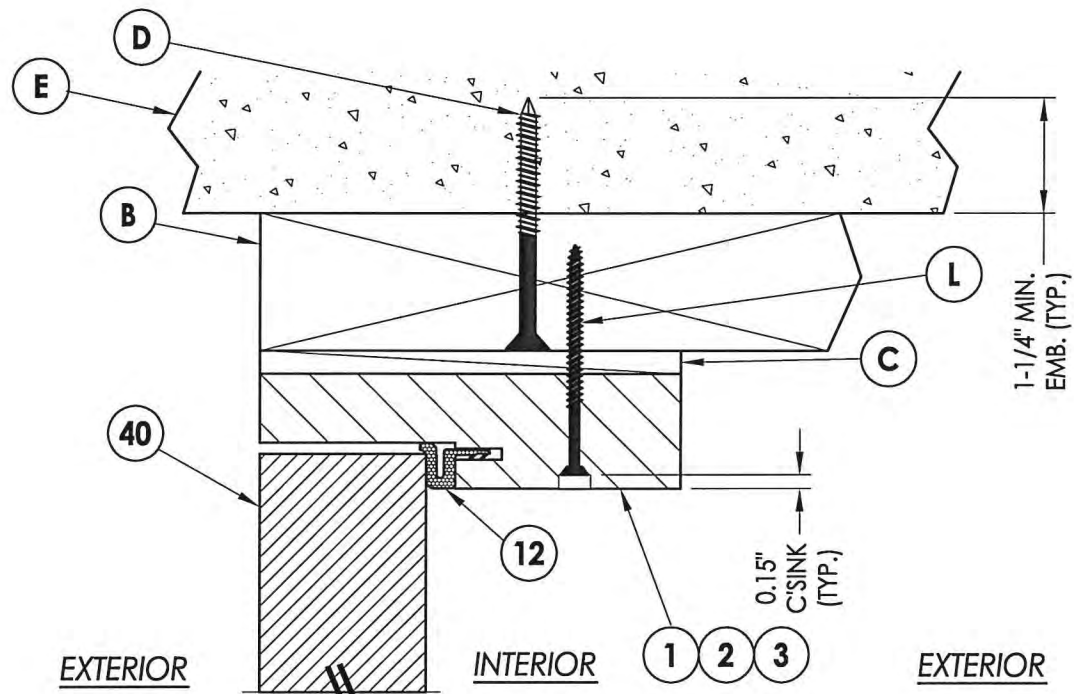
**5**  
**6** **HORIZONTAL CROSS SECTION**  
Outswing shown - Inswing also approved



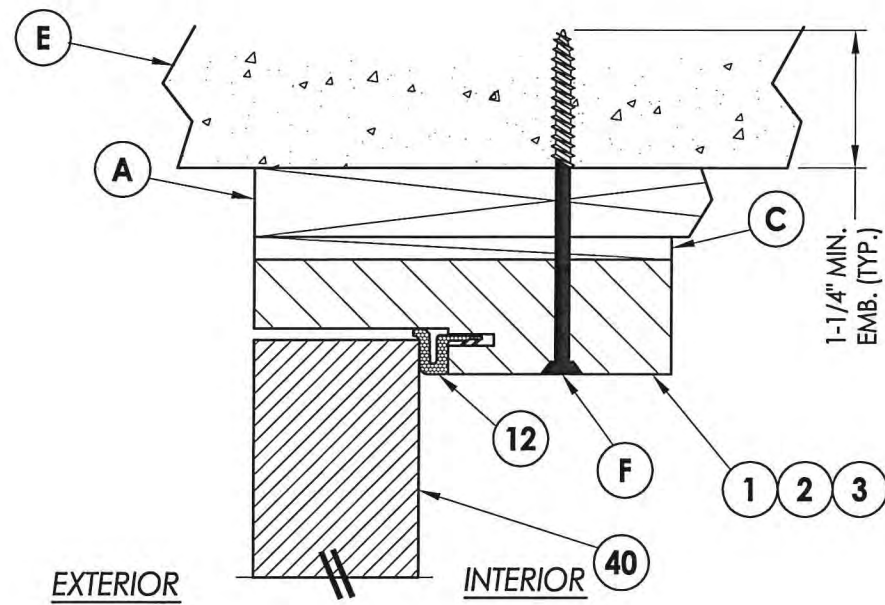
Documents Prepared By:  
Lyndon F. Schmidt  
P.E. No. 43409

**R.W.**  
BUILDING CONSULTANTS, INC.  
P.O. Box 230, Vairico, FL 33595  
Phone No.: 813.659.9197  
FBPE C.A. No. 9813

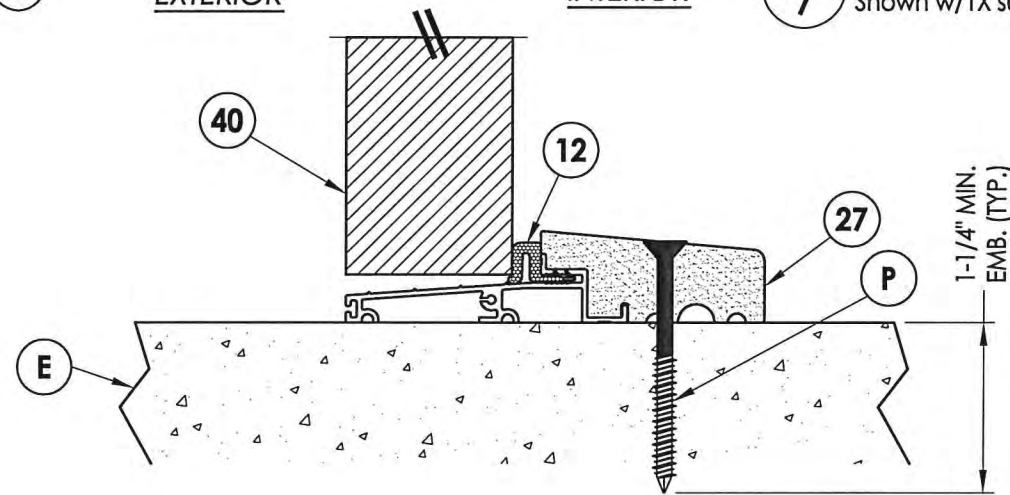
PRODUCT:	TRINITY GLASS INT'L	
PART OR ASSEMBLY:	HORIZONTAL CROSS SECTIONS	
NO.	DATE	BY
1	03/02/15	JK
UPDATE TO 5TH ED. (2014) FBC		
REVISIONS		
DATE:	02/27/12	
SCALE:	N.T.S.	
DWG. BY:	JK	
CHK. BY:	LFS	
DRAWING NO.:	FL-15255.12	
SHEET	6	OF 13



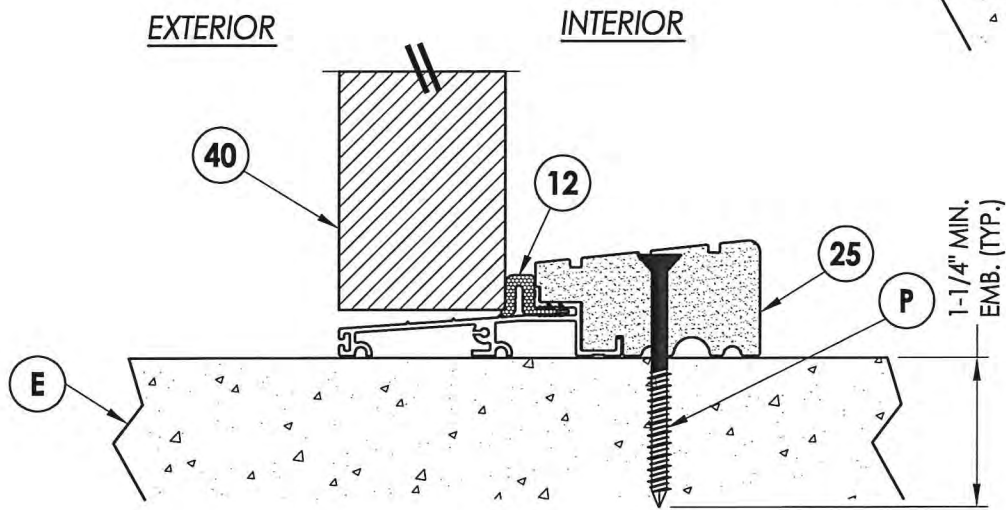
**1** VERTICAL CROSS SECTION  
**7** Outswing shown  
Inswing also approved



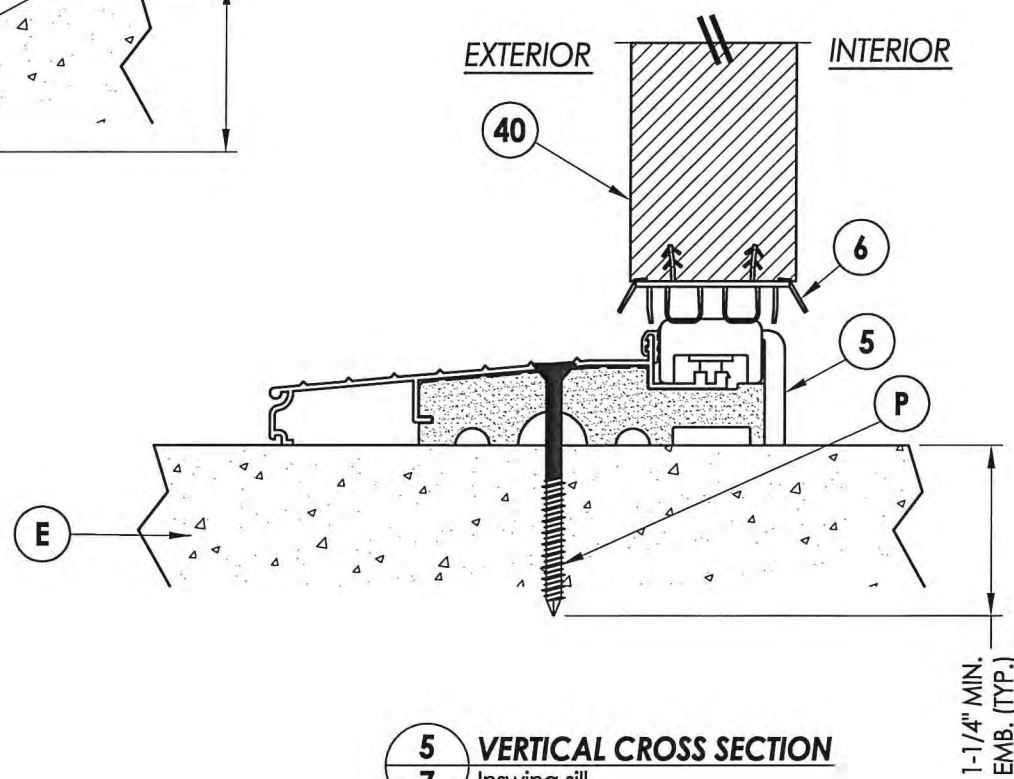
**2** VERTICAL CROSS SECTION  
**7** Shown w/1X sub-buck



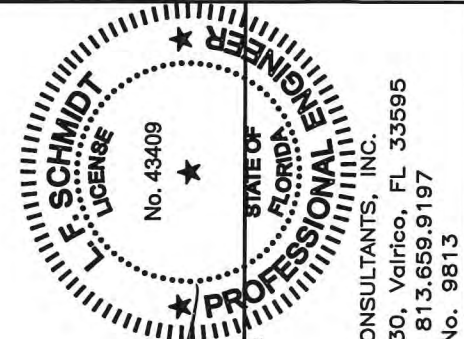
**4** VERTICAL CROSS SECTION  
**7** Outswing sill



**3** VERTICAL CROSS SECTION  
**7** Outswing sill - high dam



**5** VERTICAL CROSS SECTION  
**7** Inswing sill



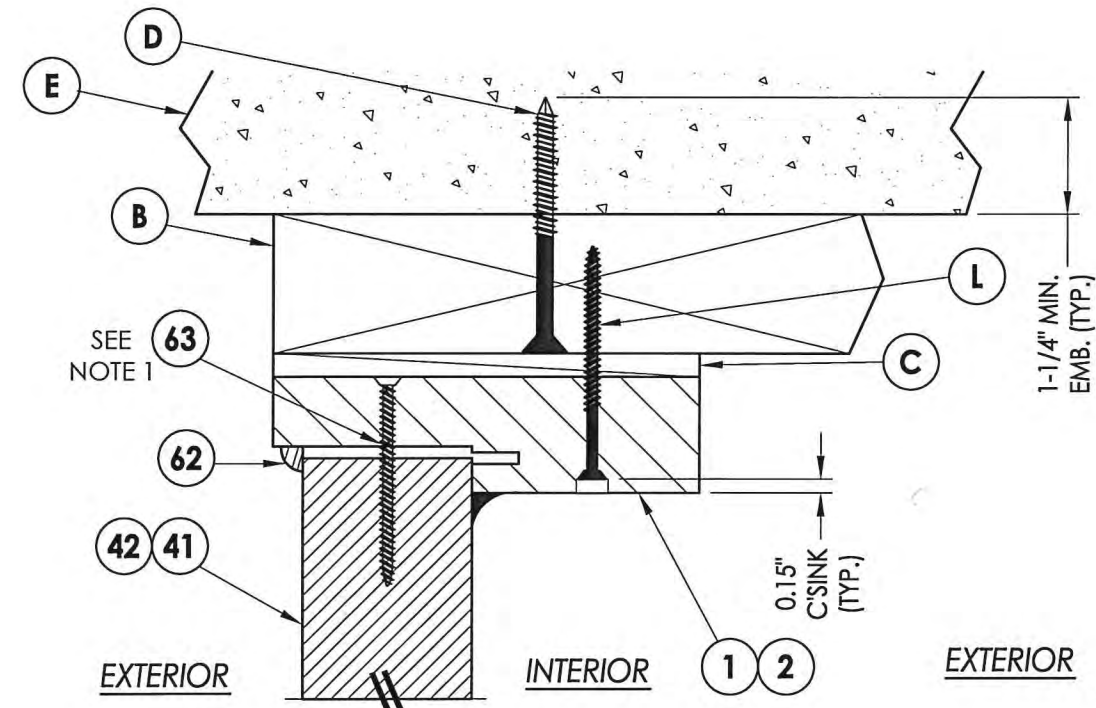
Documents Prepared By:  
Lyndon F. Schmidt  
P.E. No. 43409  
*RW*  
BUILDING CONSULTANTS, INC.  
P.O. Box 230, Valrico, FL 33595  
Phone No.: 813.659.9197  
FBPE C.A. No. 9813

PRODUCT: TRINITY GLASS INT'L  
PART OR ASSEMBLY: VERTICAL CROSS SECTIONS

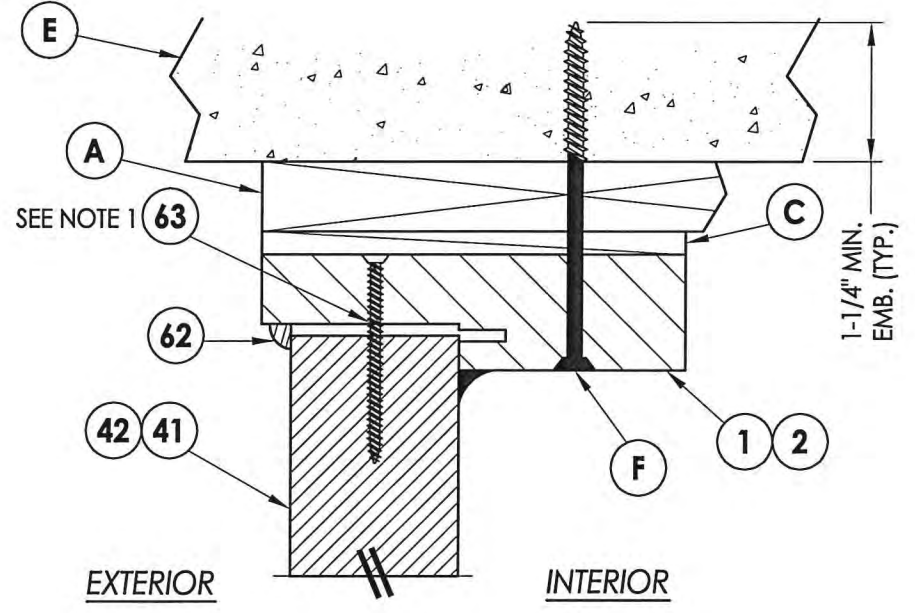
NO.	DATE	BY
1	03/02/15	JK

DATE: 02/27/12  
SCALE: N.T.S.  
DWG. BY: JK  
CHK. BY: LFS  
DRAWING NO.: FL-15255.12  
SHEET 7 OF 13

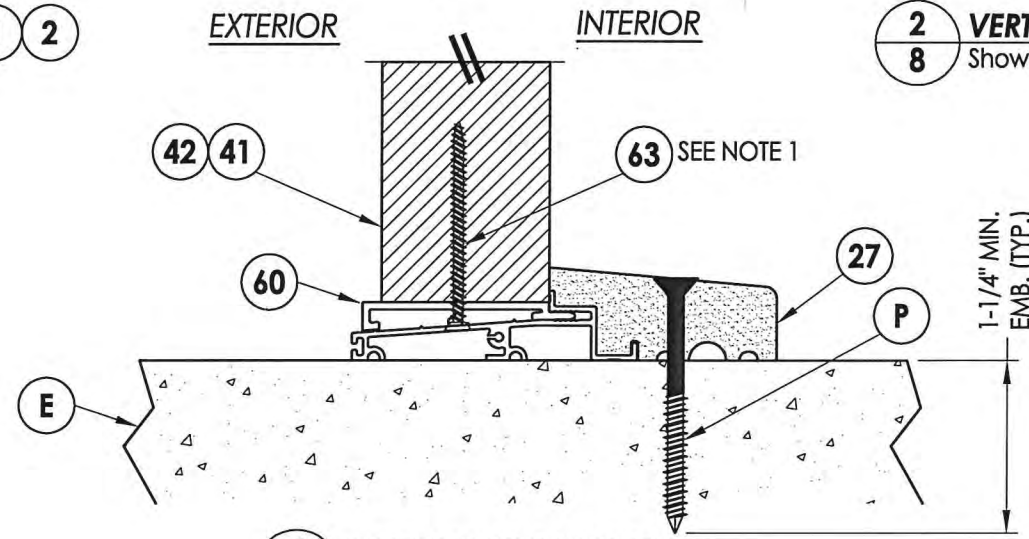
R:\Clients\Trinity PERMANENT\Florida Product Approvals\FL-15255\C - Drawings\FL-15255\FL-15255.9-12.dwg, 8.12



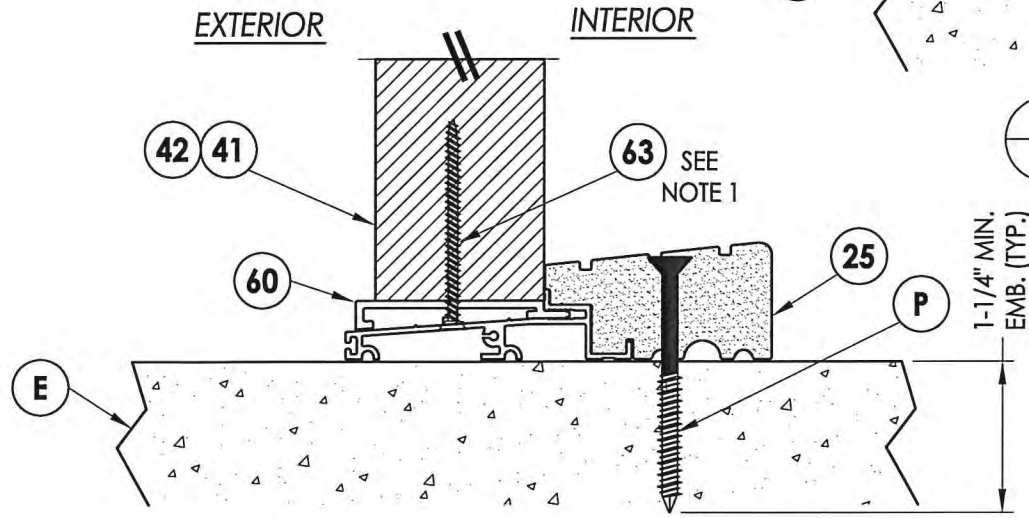
**1** VERTICAL CROSS SECTION  
**8**



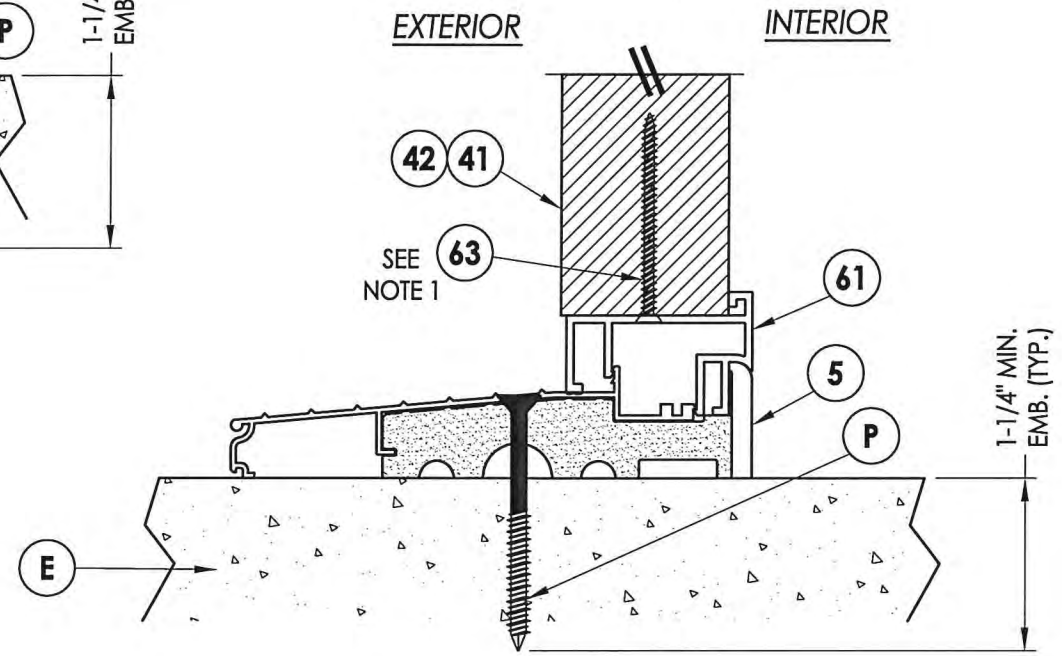
**2** VERTICAL CROSS SECTION  
**8** Shown w/1X sub-buck



**4** VERTICAL CROSS SECTION  
**8** Outswing sill

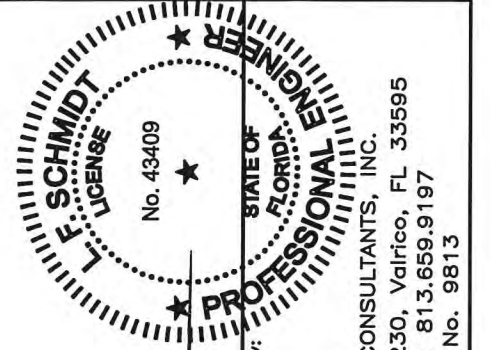


**3** VERTICAL CROSS SECTION  
**8** Outswing sill - high dam



**5** VERTICAL CROSS SECTION  
**8** Inswing sill

NOTE:  
1. Screws thru head and sill jamb located 3" from each end and on center line.



Documents Prepared By:  
Lyndon F. Schmidt  
P.E. No. 43409

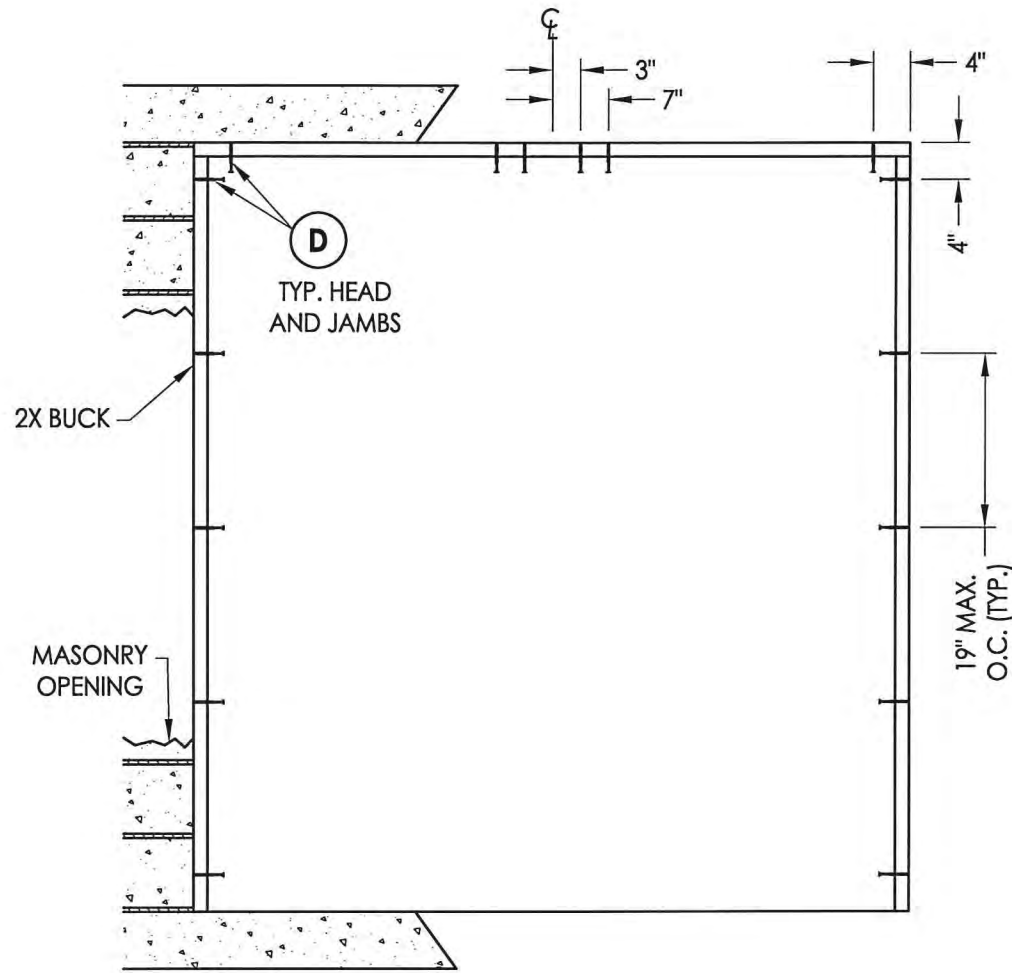
RW BUILDING CONSULTANTS, INC.  
P.O. Box 230, Valrico, FL 33595  
Phone No.: 813.659.9197  
FBPE C.A. No. 9813

PRODUCT:	TRINITY GLASS INT'L
PART OR ASSEMBLY:	VERTICAL CROSS SECTIONS

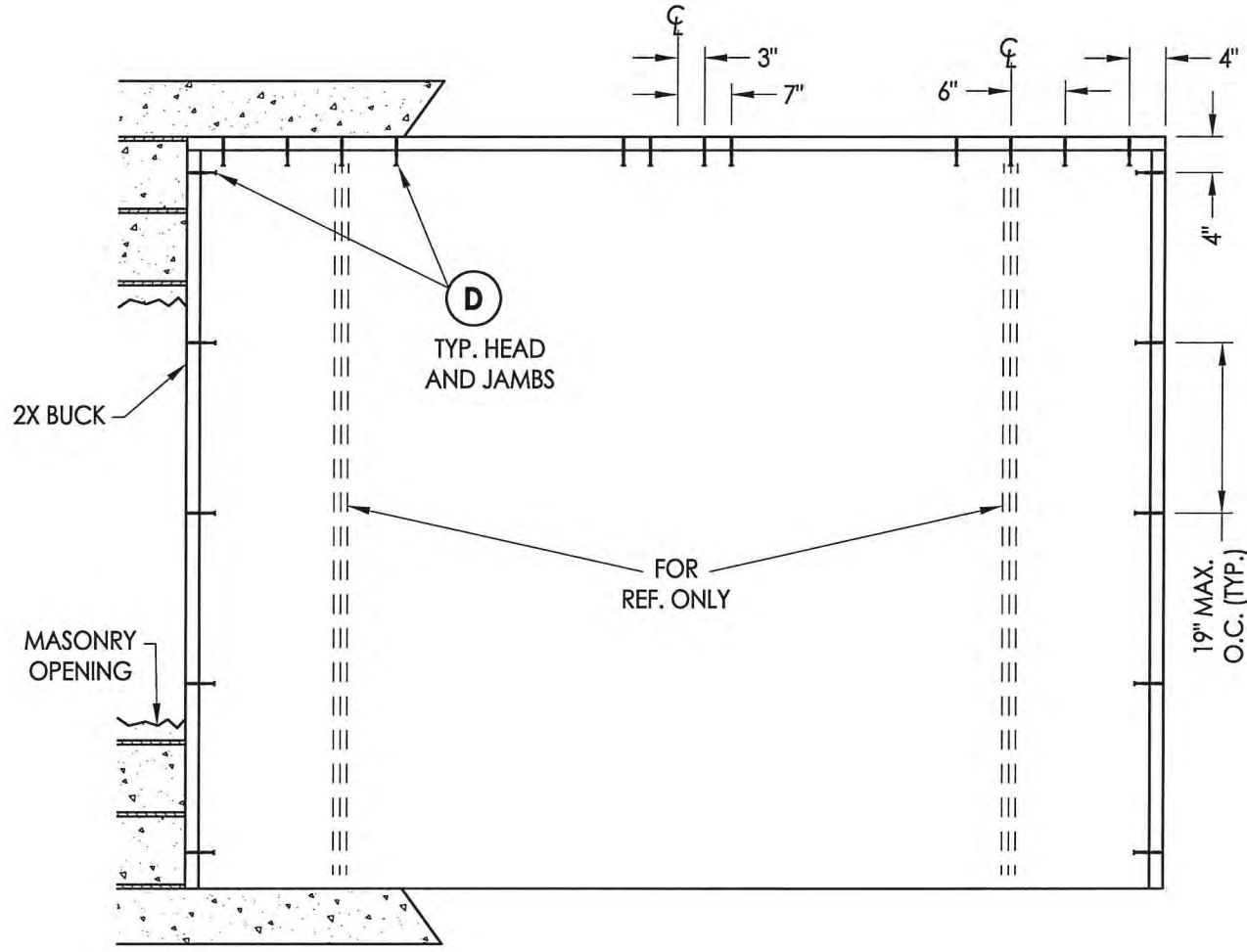
NO.	DATE	BY	REVISIONS
1	03/02/15	JK	UPDATE TO 5TH ED. (2014) FBC

DATE:	02/27/12
SCALE:	N.T.S.
DWG. BY:	JK
CHK. BY:	LFS
DRAWING NO.:	FL-15255.12
SHEET	8 OF 13





**BUCK ANCHORING**

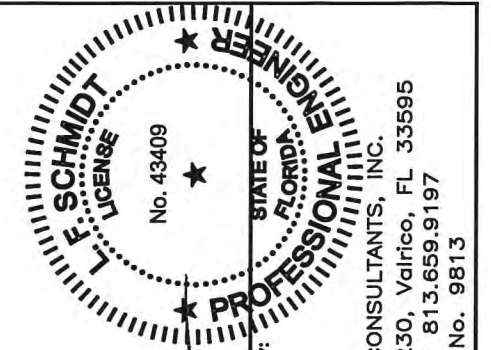


**BUCK ANCHORING**

**CONCRETE ANCHOR NOTES:**

1. Concrete anchor locations at the corners may be adjusted to maintain the min. edge distance to mortar joints.
2. Concrete anchor locations noted as "MAX. ON CENTER" must be adjusted to maintain the min. edge distance to mortar joints, additional concrete anchors may be required to ensure the "MAX. ON CENTER" dimension are not exceeded.
3. Concrete anchor table:

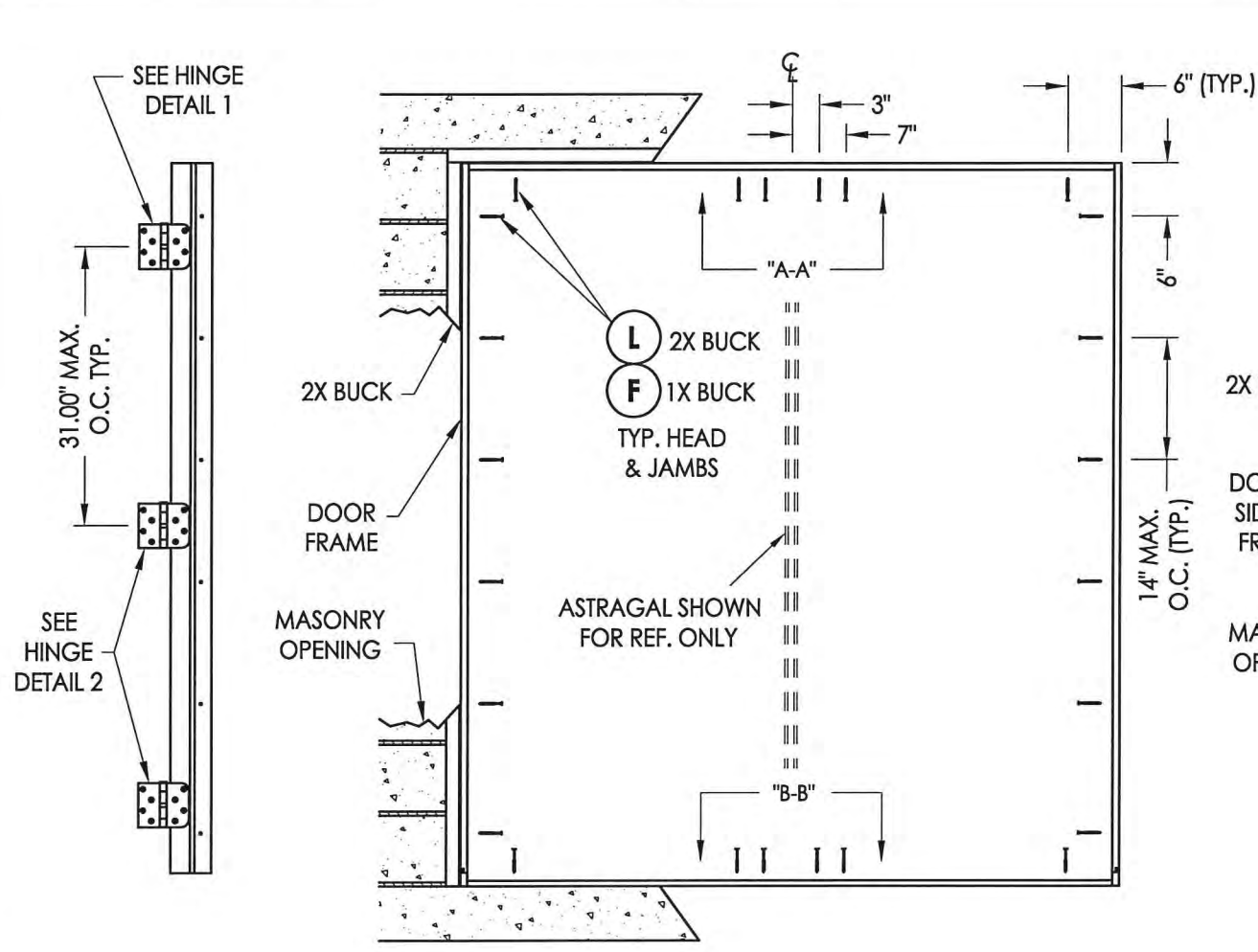
ANCHOR TYPE	ANCHOR SIZE	MIN. EMBEDMENT	MIN. CLEARANCE TO MASONRY EDGE	MIN. CLEARANCE TO ADJACENT ANCHOR
ITW TAPCON®	1/4"	1-1/4"	2"	4"
ELCO ULTRACON®	1/4"	1-1/4"	1"	4"



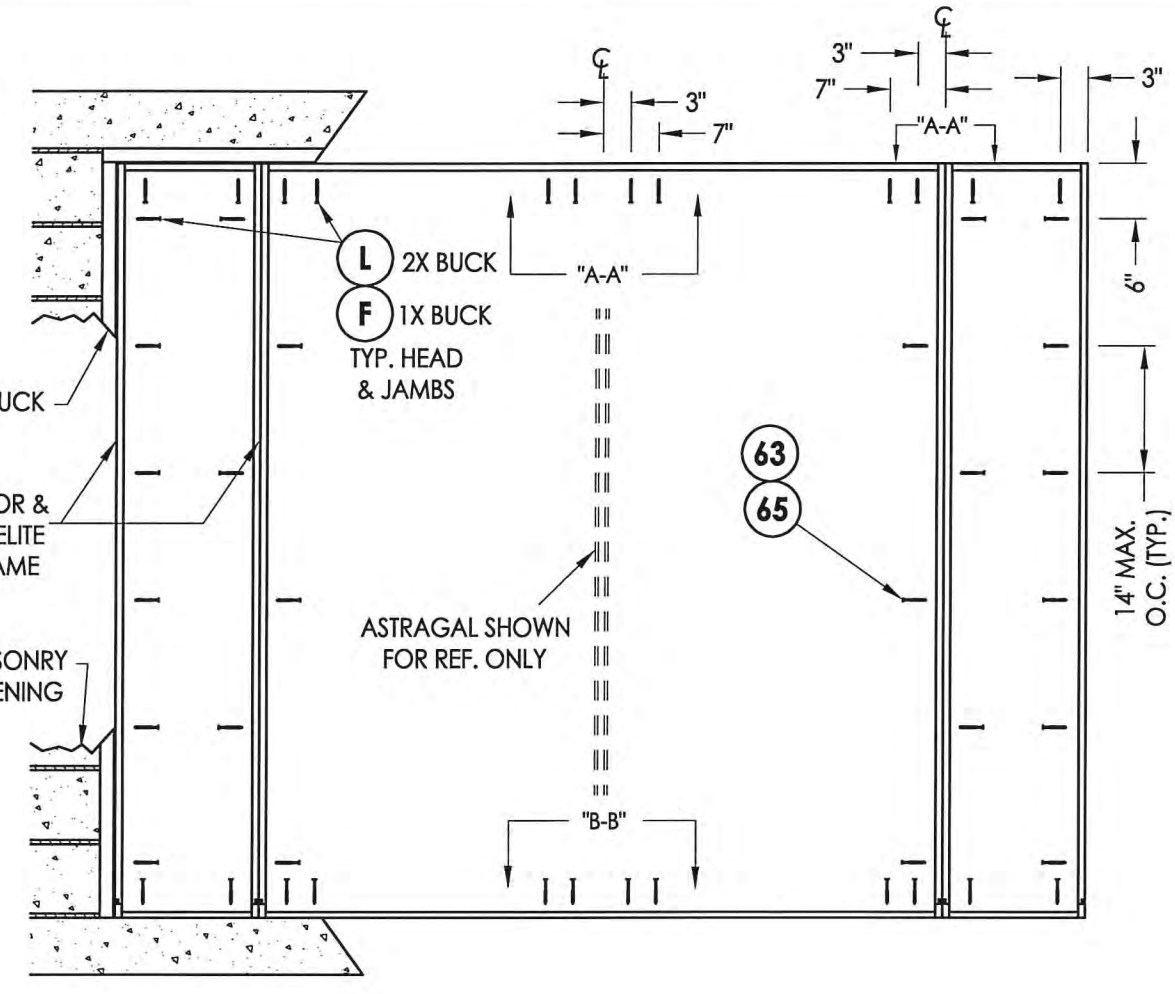
Documents Prepared By:  
 Lyndon F. Schmidt  
 P.E. No. 43409  
 5-1-15  
 R.W. BUILDING CONSULTANTS, INC.  
 P.O. Box 230, Valrico, FL 33595  
 Phone No.: 813.659.9197  
 FBPE C.A. No. 9813

PRODUCT:	TRINITY GLASS INT'L	
PART OR ASSEMBLY:	BUCK ANCHORING	
DATE:	02/27/12	
SCALE:	N.T.S.	
DWG. BY:	JK	
CHK. BY:	LFS	
DRAWING NO.:	FL-15255.12	
SHEET	9 OF 13	
NO.	DATE	BY
1	03/02/15	JK
UPDATE TO 5TH ED. (2014) FBC		
REVISIONS		

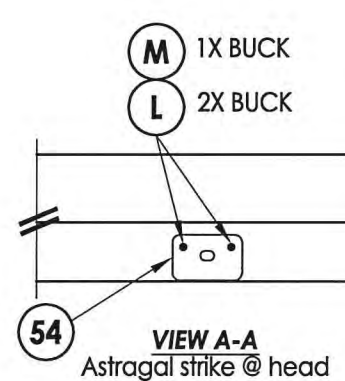
R:\Clients\Trinity PERMANENT\Florida Product Approvals\FL-15255\C - Drawings\FL-15255\FL-15255.9-12.dwg, 10.12



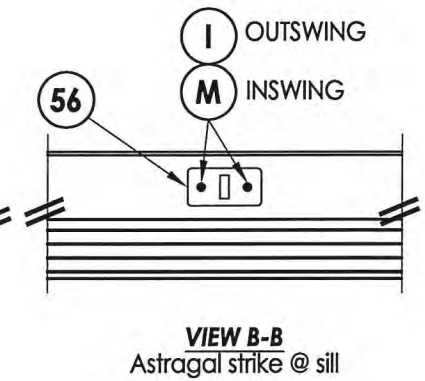
**HINGE JAMB**



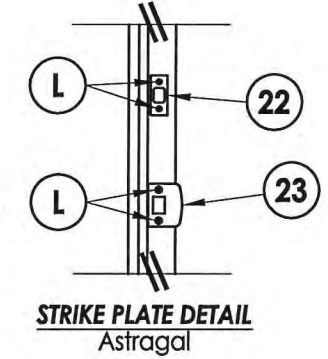
**FRAME ANCHORING**



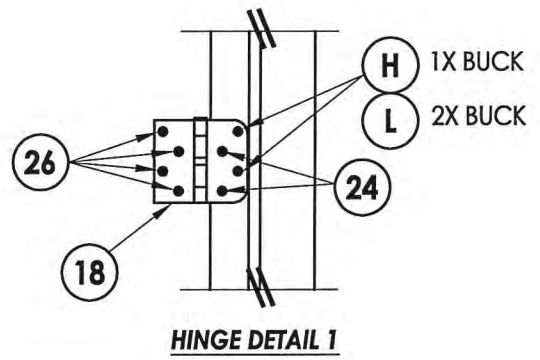
**VIEW A-A**  
Astragal strike @ head



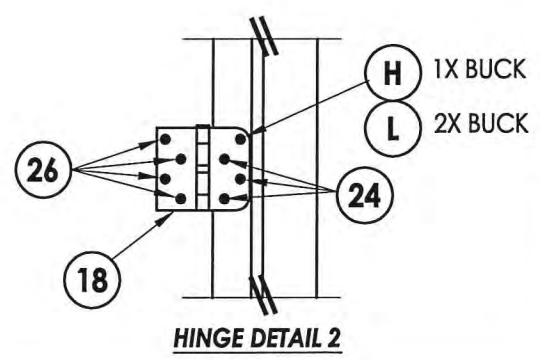
**VIEW B-B**  
Astragal strike @ sill



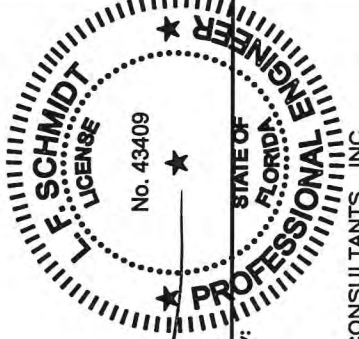
**STRIKE PLATE DETAIL**  
Astragal



**HINGE DETAIL 1**



**HINGE DETAIL 2**



Documents Prepared By:  
Lyndon F. Schmidt  
P.E. No. 43409

**RW** BUILDING CONSULTANTS, INC.  
P.O. Box 230, Valrico, FL 33595  
Phone No.: 813.659.9197  
FBPE C.A. No. 9813

PRODUCT: TRINITY GLASS INT'L

PART OR ASSEMBLY: FRAME ANCHORING

NO.	DATE	BY	JK
1	03/02/15	JK	BY

REVISIONS

DATE: 02/27/12  
SCALE: N.T.S.  
DWG. BY: JK  
CHK. BY: LFS  
DRAWING NO.: FL-15255.12  
SHEET 10 OF 13

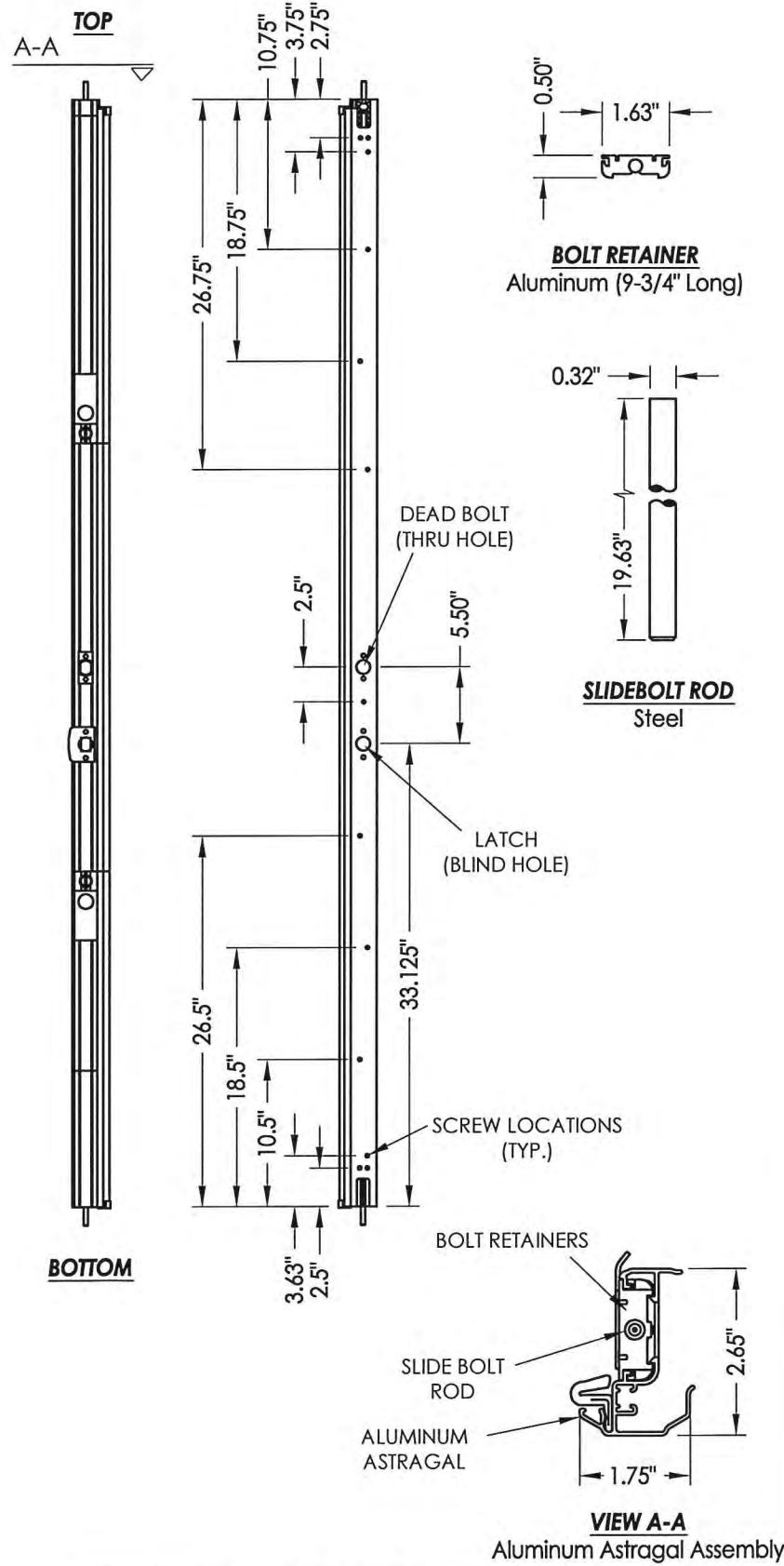
**CONCRETE ANCHOR NOTES:**

- Concrete anchor locations at the corners may be adjusted to maintain the min. edge distance to mortar joints.
- Concrete anchor locations noted as "MAX. ON CENTER" must be adjusted to maintain the min. edge distance to mortar joints, additional concrete anchors may be required to ensure the "MAX. ON CENTER" dimension are not exceeded.
- Concrete anchor table:

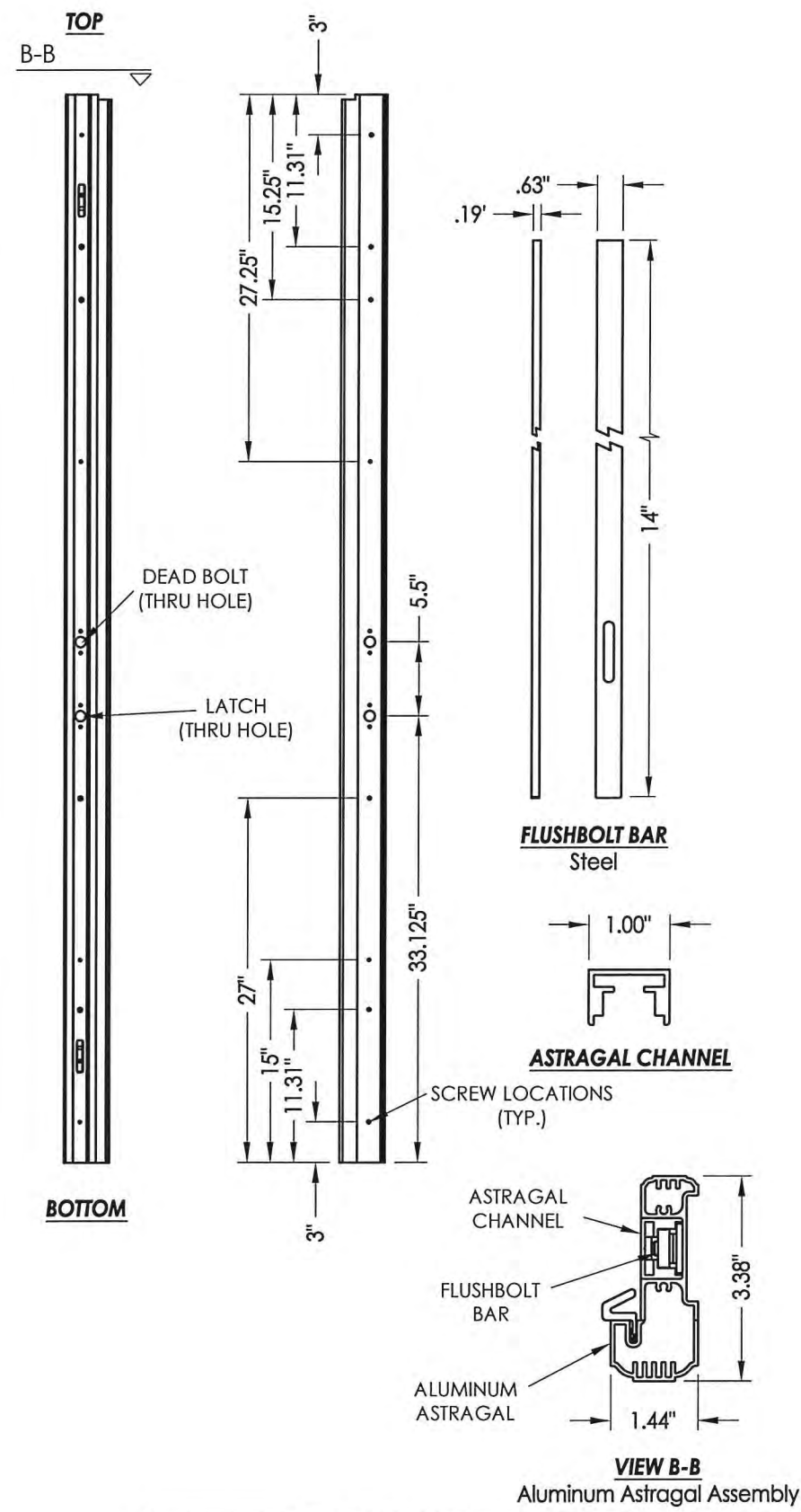
ANCHOR TYPE	ANCHOR SIZE	MIN. EMBEDMENT	MIN. CLEARANCE TO MASONRY EDGE	MIN. CLEARANCE TO ADJACENT ANCHOR
ITW TAPCON®	1/4"	1-1/4"	2"	4"
ELCO ULTRACON®	1/4"	1-1/4"	1"	4"

**WOOD SCREW INSTALLATION NOTES:**

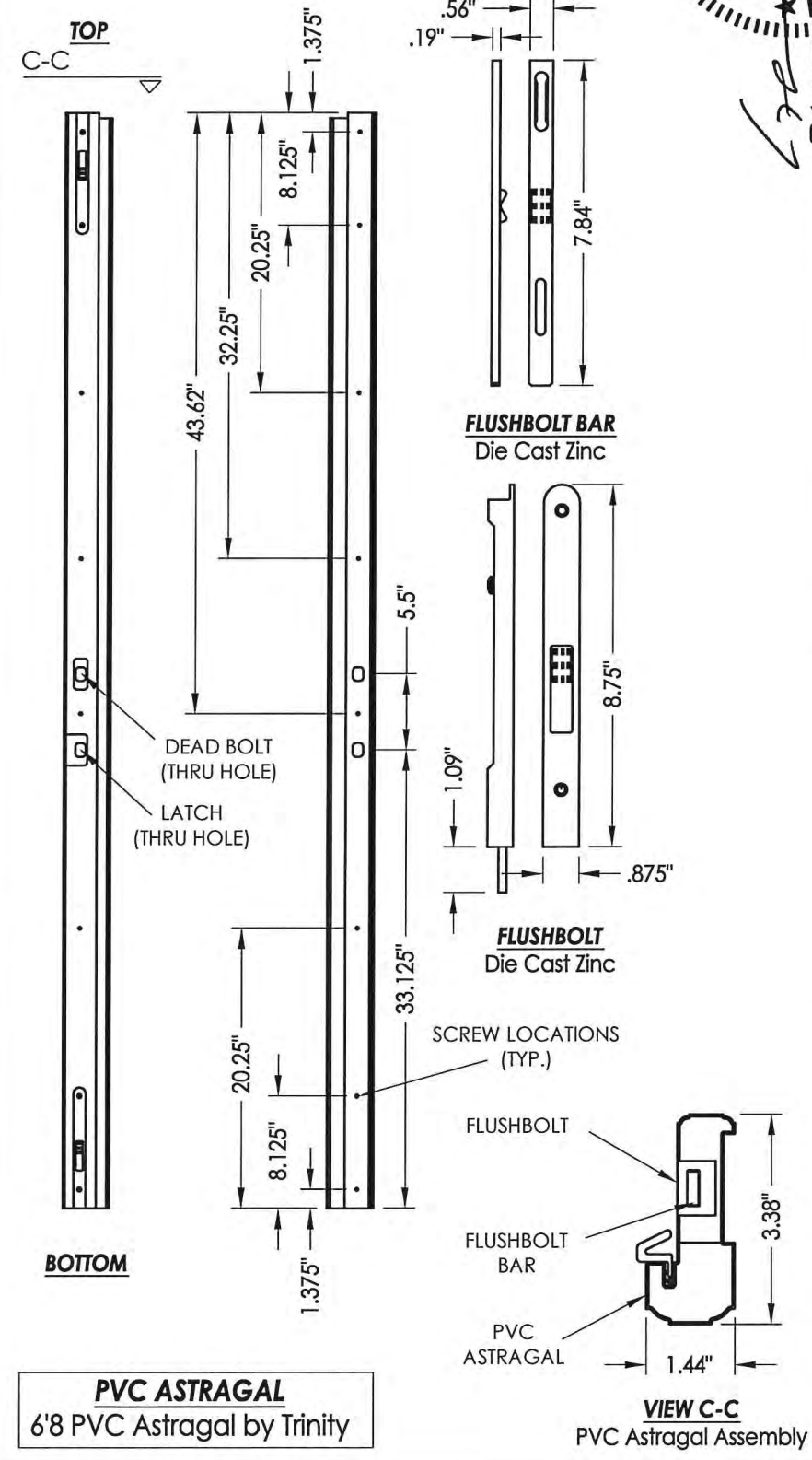
- Maintain a minimum 5/8" edge distance, 1" end distance, & 1" o.c. spacing of wood screws to prevent the splitting of wood.



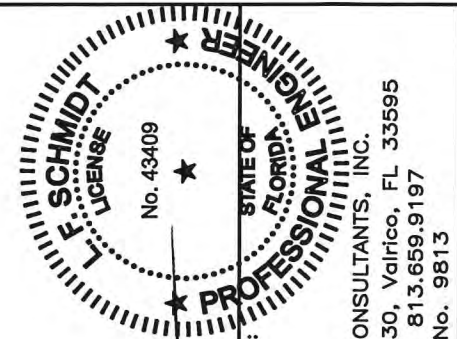
**ENDURA ASTRAGAL**  
6'8 Aluminum Astragal by Endura Products



**TRC ASTRAGAL**  
6'8 Aluminum Astragal by Trinity



**PVC ASTRAGAL**  
6'8 PVC Astragal by Trinity



Documents Prepared By:  
Lyndon F. Schmidt  
P.E. No. 43409

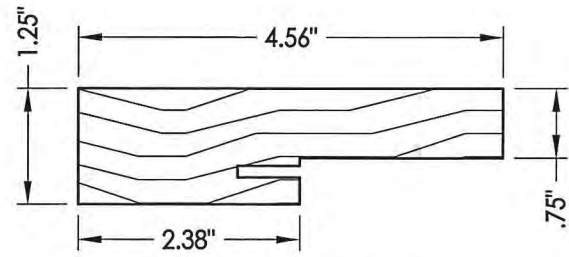
*RW* BUILDING CONSULTANTS, INC.  
P.O. Box 230, Vairico, FL 33595  
Phone No.: 813.659.9197  
FBPE C.A. No. 9813

PRODUCT:	TRINITY GLASS INT'L
PART OR ASSEMBLY:	ASTRAGAL DETAILS

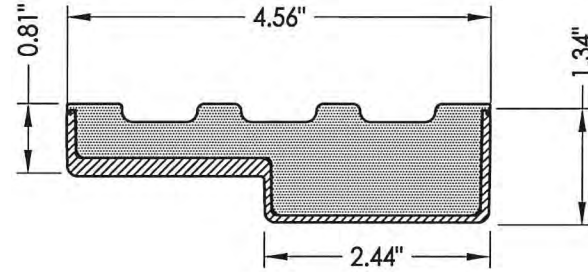
NO.	DATE	BY	REVISIONS
1	03/02/15	JK	UPDATE TO 5TH ED. (2014) FBC

DATE:	02/27/12
SCALE:	N.T.S.
DWG. BY:	JK
CHK. BY:	LFS
DRAWING NO.:	FL-15255.12
SHEET	11 OF 13

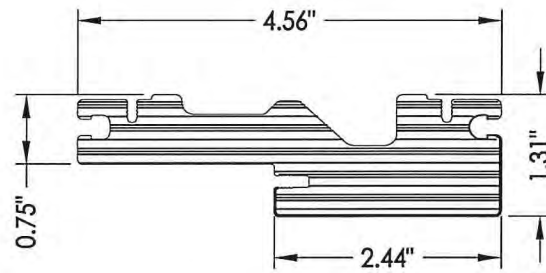
R:\Clients\Trinity PERMANENT\Florida Product Approvals\FL-15255\C - Drawings\FL-15255\FL-15255.9-12.dwg, 12.12



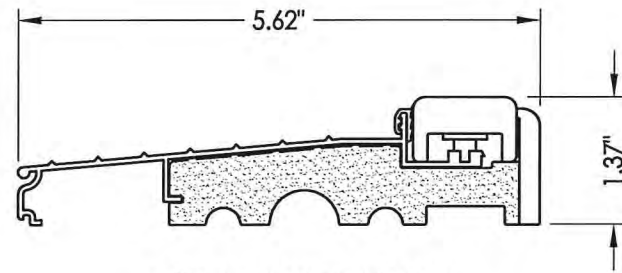
**1 HEAD AND JAMBS**  
Wood



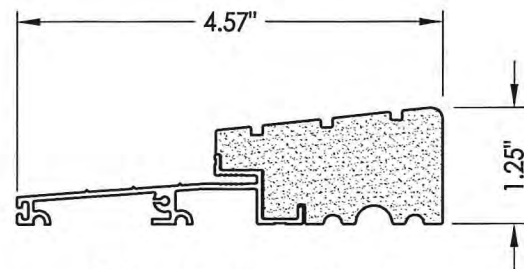
**2 HEAD AND JAMBS**  
Composite PVC Base  
w/ Fiberglass Wrap



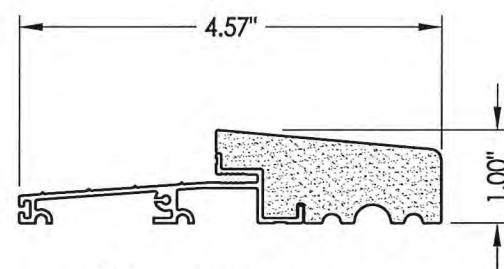
**3 HEAD AND JAMBS**  
PVC



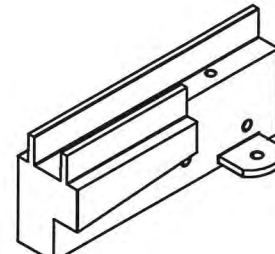
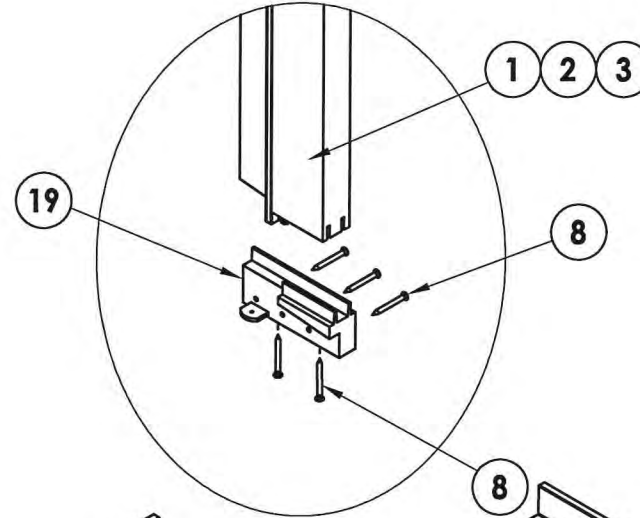
**5 INSWING THRESHOLD**



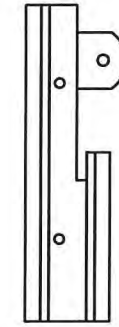
**25 OUTSWING THRESHOLD**  
High-dam



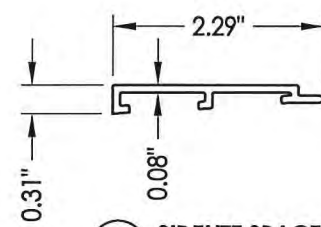
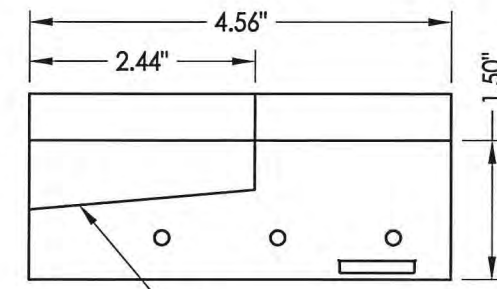
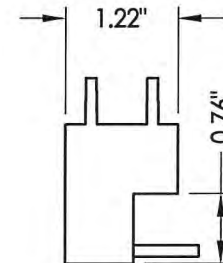
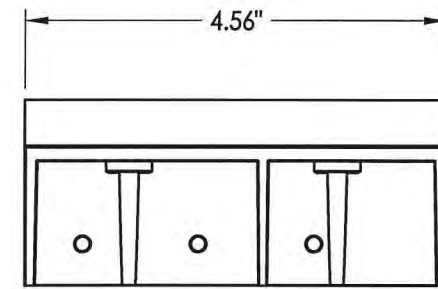
**27 OUTSWING THRESHOLD**



SILLKEY, LEFT  
SCALE: NONE

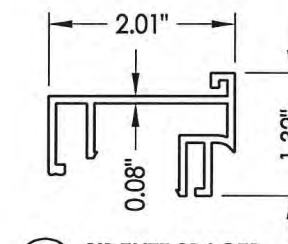


SILLKEY, RIGHT  
SCALE: NONE

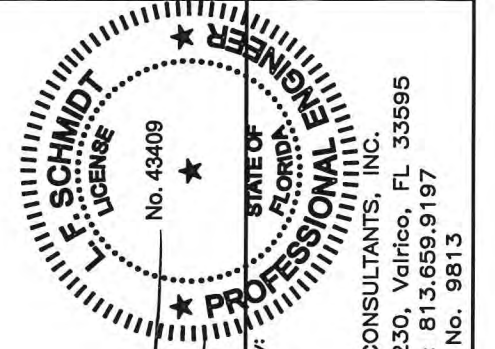


**60 SIDELITE SPACER**  
Outswing

**19 SILLKEY DETAILS**  
Optional



**61 SIDELITE SPACER**  
Inswing



Documents Prepared By:  
Lyndon F. Schmidt  
P.E. No. 43409

**RW** BUILDING CONSULTANTS, INC.  
P.O. Box 230, Valrico, FL 33595  
Phone No.: 813.659.9197  
FBPE C.A. No. 9813

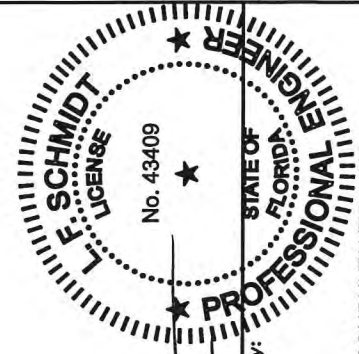
PRODUCT:	TRINITY GLASS INT'L
PART OR ASSEMBLY:	COMPONENTS

NO.	DATE	REVISIONS
1	03/02/15	UPDATE TO 5TH ED. (2014) FBC
		JK
		BY

DATE:	02/27/12
SCALE:	N.T.S.
DWG. BY:	JK
CHK. BY:	LFS
DRAWING NO.:	FL-15255.12
SHEET	12 OF 13

**BILL OF MATERIALS**

ITEM #	DESCRIPTION	MATERIAL
A	1X BUCK SG >= 0.55	WOOD
B	2X BUCK SG >= 0.55	WOOD
C	1/4" MAX. SHIM SPACE	-
D	1/4" X 2-3/4" PFH ELCO OR ITW CONCRETE SCREW	STEEL
E	MASONRY - 3,000 PSI MIN. CONCRETE CONFORMING TO ACI 301 OR HOLLOW BLOCK CONFORMING TO ASTM C90	CONCRETE
F	1/4" X 3-3/4" PFH ITW CONCRETE SCREW	STEEL
H	1/4" X 3-1/4" PFH ITW CONCRETE SCREW	STEEL
I	3/16" X 1-1/4" PFH ITW CONCRETE SCREW	STEEL
J	#9 X 2-1/4" PFH WS	STEEL
L	#8 X 2-1/2" PFH WS	STEEL
M	3/16" X 3-1/4" PFH ITW CONCRETE SCREW	STEEL
P	1/4" X 2-3/4" PFH ITW CONCRETE SCREW	STEEL
1	JAMB (FINGER-JOINT PINE - SG >= 0.42)	WOOD
2	JAMB	FIBERGLASS/COMP
3	JAMB	PVC
5	INSWING THRESHOLD ALUMINUM W/ COMPOSITE SUBSTRATE	ALUMINUM
6	DOOR BOTTOM SWEEP	PVC
8	#6 X 1-1/4 PFH DRYWALL SCREW	STEEL
12	WEATHER STRIP QEBD650 Q-LON	-
18	3.983" X 4.0" HINGE MIN 0.098" THICK	STEEL
19	SILLKEY	PC/ASA
22	DEADBOLT STRIKE PLATE	STEEL
23	STRIKE PLATE	STEEL
24	#9 X 5/8" PFH WS	STEEL
25	OUTSWING HIGH-DAM THRESHOLD ALUMINUM W/ COMPOSITE SUBSTRATE	ALUM./ COMP.
26	#9 X 1.0" PFH WS	STEEL
27	OUTSWING THRESHOLD ALUMINUM W/ COMPOSITE SUBSTRATE	ALUM./ COMP.
40	DOOR PANEL - SEE DOOR PANEL DETAIL SHEET FOR CONSTRUCTION DETAILS	-
41	SIDELITE PANEL - SEE SIDELITE PANEL DETAIL SHEET FOR CONSTRUCTION DETAILS	-
42	SIDELITE PANEL - SEE SIDELITE PANEL DETAIL SHEET FOR CONSTRUCTION DETAILS	-
53	#8 X 1-3/4" PFH SMS	STEEL
54	ASTRAGAL STRIKE @ HEAD	STEEL
56	ASTRAGAL STRIKE @ SILL	STEEL
60	SIDELITE SPACER - OUTSWING	PVC
61	SIDELITE SPACER - INSWING	PVC
62	QUARTER ROUND	WOOD
63	#8 X 2-1/4" PFH WOOD SCREW	STEEL
64	#8 X 2" PFH WOOD SCREW	STEEL
65	#10 X 2" PFH WOOD SCREW	STEEL



*LFS*  
5.11.12

Documents Prepared By:  
Lyndon F. Schmidt  
P.E. No. 43409

*RW*  
BUILDING CONSULTANTS, INC.  
P.O. Box 230, Valrico, FL 33595  
Phone No.: 813.659.9197  
FBPE C.A. No. 9813

PRODUCT: TRINITY GLASS INT'L  
PART OR ASSEMBLY: BILL OF MATERIALS

NO.	DATE	BY	REVISIONS
1	03/02/15	JK	UPDATE TO 5TH ED. (2014) FBC

DATE: 02/27/12  
SCALE: N.T.S.  
DWG. BY: JK  
CHK. BY: LFS  
DRAWING NO.: FL-15255.12  
SHEET 13 OF 13